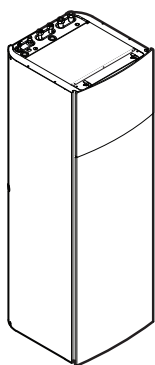




Installation manual

Daikin Altherma 3 R F



EHFH03S18DJ3V

Installation manual
Daikin Altherma 3 R F

English

Table of contents

1	About the documentation	3
1.1	About this document.....	3
2	About the box	4
2.1	Indoor unit	4
2.1.1	To remove the accessories from the indoor unit.....	4
2.1.2	To handle the indoor unit	4
3	Unit installation	4
3.1	Preparing the installation site	4
3.1.1	Installation site requirements of the indoor unit	4
3.2	Opening and closing the unit.....	5
3.2.1	To open the indoor unit	5
3.2.2	To lower the switch box on the indoor unit.....	6
3.2.3	To close the indoor unit.....	6
3.3	Mounting the indoor unit.....	6
3.3.1	To install the indoor unit.....	6
3.3.2	To connect the drain hose to the drain	7
4	Piping installation	7
4.1	Connecting refrigerant piping	7
4.1.1	To connect the refrigerant piping to the indoor unit	7
4.2	Preparing water piping	7
4.2.1	To check the water volume and flow rate	7
4.3	Connecting water piping.....	8
4.3.1	To connect the water piping.....	8
4.3.2	To connect the recirculation piping	8
4.3.3	To fill the water circuit	8
4.3.4	To fill the domestic hot water tank	8
4.3.5	To insulate the water piping.....	9
5	Electrical installation	9
5.1	About electrical compliance.....	9
5.2	Guidelines when connecting the electrical wiring.....	9
5.3	Connections to the indoor unit.....	9
5.3.1	To connect the main power supply	10
5.3.2	To connect the backup heater power supply	11
5.3.3	To connect the user interface	12
5.3.4	To connect the shut-off valve (Heating/Cooling).....	13
5.3.5	To connect the electricity meters	13
5.3.6	To connect the domestic hot water pump	13
5.3.7	To connect the alarm output	14
5.3.8	To connect the space cooling/heating ON/OFF output.....	14
5.3.9	To connect the changeover to external heat source... ..	15
5.3.10	To connect the power consumption digital inputs	15
5.3.11	To connect the safety thermostat (normally closed contact)	16
5.4	After connecting the electrical wiring to the indoor unit.....	16
6	Configuration	17
6.1	Overview: Configuration	17
6.1.1	To change the user permission level	17
6.1.2	To access the most used commands	17
6.2	Basic configuration	18
6.2.1	Quick wizard: Language / time and date.....	18
6.2.2	Quick wizard: Standard.....	18
6.2.3	Quick wizard: Options	18
6.2.4	Space heating/cooling control.....	20
6.2.5	Domestic hot water control	21
6.2.6	Contact/helpdesk number	21
6.3	Weather-dependent curve	21
6.3.1	What is a weather-dependent curve?	21
6.3.2	2-points curve	22
6.3.3	Using weather-dependent curves	22
6.4	Menu structure: Overview installer settings.....	23
7	Commissioning	24
7.1	Checklist before commissioning.....	24
7.2	Checklist during commissioning	24
7.2.1	To check the minimum flow rate	24
7.2.2	To perform an air purge	24
7.2.3	To perform a test run	25
7.2.4	To perform an actuator test run	25
7.2.5	To perform an underfloor heating screed dryout.....	25
8	Hand-over to the user	25
9	Technical data	26
9.1	Piping diagram: Indoor unit	26
9.2	Wiring diagram: Indoor unit	27

1 About the documentation

1.1 About this document

Target audience

Authorised installers

Documentation set

This document is part of a documentation set. The complete set consists of:

- **General safety precautions:**
 - Safety instructions that you must read before installing
 - Format: Paper (in the box of the indoor unit)
- **Operation manual:**
 - Quick guide for basic usage
 - Format: Paper (in the box of the indoor unit)
- **User reference guide:**
 - Detailed step-by-step instructions and background information for basic and advanced usage
 - Format: Digital files on <http://www.daikineurope.com/support-and-manuals/product-information/>
- **Installation manual – Outdoor unit:**
 - Installation instructions
 - Format: Paper (in the box of the outdoor unit)
- **Installation manual – Indoor unit:**
 - Installation instructions
 - Format: Paper (in the box of the indoor unit)
- **Installer reference guide:**
 - Preparation of the installation, good practices, reference data, ...
 - Format: Digital files on <http://www.daikineurope.com/support-and-manuals/product-information/>
- **Addendum book for optional equipment:**
 - Additional info about how to install optional equipment
 - Format: Paper (in the box of the unit) + Digital files on <http://www.daikineurope.com/support-and-manuals/product-information/>

Latest revisions of the supplied documentation may be available on the regional Daikin website or via your dealer.

The original documentation is written in English. All other languages are translations.

2 About the box

Technical engineering data

- A **subset** of the latest technical data is available on the regional Daikin website (publicly accessible).
- The **full set** of latest technical data is available on the Daikin Business Portal (authentication required).

Online tools

In addition to the documentation set, some online tools are available for installers:

• Heating Solutions Navigator

- Digital toolbox that offers a variety of tools to facilitate the installation and configuration of heating systems.
- To access Heating Solutions Navigator, registration to the Stand By Me platform is required. For more information, see <https://professional.standbyme.daikin.eu>.

• Daikin e-Care

- Mobile app for installers and service technicians that allows you to register, configure and troubleshoot heating systems.
- The mobile app can be downloaded for iOS and Android devices using the QR codes below. Registration to the Stand By Me platform is required to access the app.

App Store

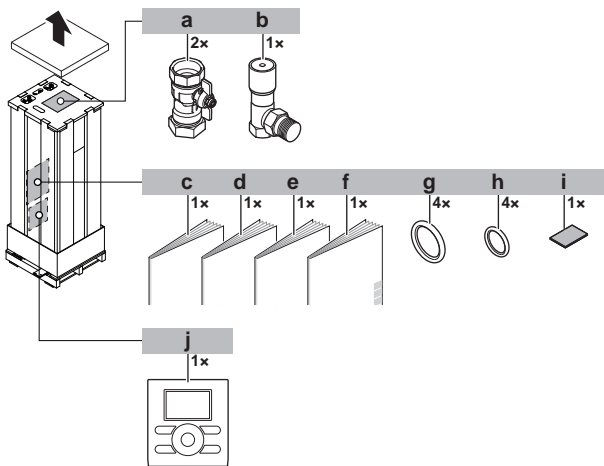
Google Play



2 About the box

2.1 Indoor unit

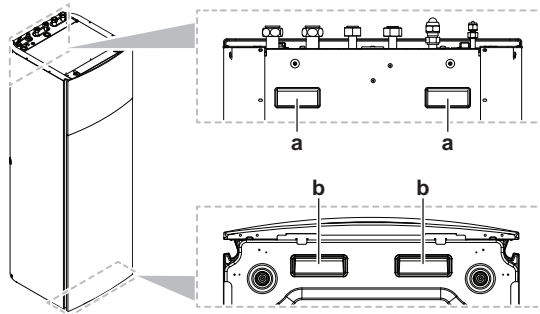
2.1.1 To remove the accessories from the indoor unit



- a Shut-off valves for water circuit
- b Overpressure bypass valve
- c General safety precautions
- d Addendum book for optional equipment
- e Indoor unit installation manual
- f Operation manual
- g Sealing rings for shut-off valves (space heating water circuit)
- h Sealing rings for field-supplied shut-off valves (domestic hot water circuit)
- i Sealing tape for low voltage wiring intake
- j Remote user interface

2.1.2 To handle the indoor unit

Use the handles at the back and at the bottom to carry the unit.



- a Handles at the back of the unit
- b Handles at the bottom of the unit. Carefully tilt the unit to the back so that the handles become visible.

3 Unit installation

3.1 Preparing the installation site



WARNING

The appliance shall be stored in a room without continuously operating ignition sources (example: open flames, an operating gas appliance or an operating electric heater).

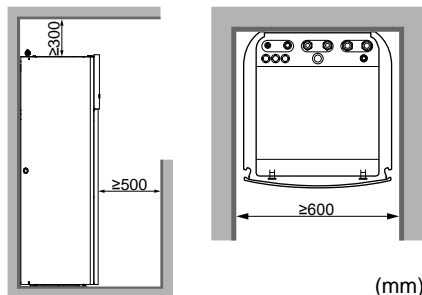


WARNING

DO NOT reuse refrigerant piping that has been used with any other refrigerant. Replace the refrigerant pipes or clean thoroughly.

3.1.1 Installation site requirements of the indoor unit

- The indoor unit is designed for indoor installation only and for the following ambient temperatures:
 - Space heating operation: 5~30°C
 - Space cooling operation: 5~35°C (only in combination with kit EKHVCONV3)
 - Domestic hot water production: 5~35°C
- Mind the following spacing installation guidelines:



INFORMATION

If you have limited installation space, do the following before installing the unit in its final position: "[3.3.2 To connect the drain hose to the drain](#)" [▶ 7]. It requires to remove one or both side panels.

Special requirements for R32

The total refrigerant charge in the system is ≤1.842 kg, so the system is NOT subjected to any requirements to the installation room. However, mind the following requirements and precautions:



WARNING

- Do NOT pierce or burn.
- Do NOT use means to accelerate the defrosting process or to clean the equipment, other than those recommended by the manufacturer.
- Be aware that R32 refrigerant does NOT contain an odour.



WARNING

The appliance shall be stored so as to prevent mechanical damage and in a well-ventilated room without continuously operating ignition sources (example: open flames, an operating gas appliance or an operating electric heater).



WARNING

Make sure installation, servicing, maintenance and repair comply with instructions from Daikin and with applicable legislation (for example national gas regulation) and are executed only by authorised persons.



NOTICE

- Pipework shall be protected from physical damage.
- Installation of pipework shall be kept to a minimum.



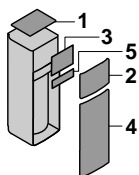
NOTICE

- Do NOT re-use joints which have been used already.
- Joints made in installation between parts of refrigerant system shall be accessible for maintenance purposes.

3.2 Opening and closing the unit

3.2.1 To open the indoor unit

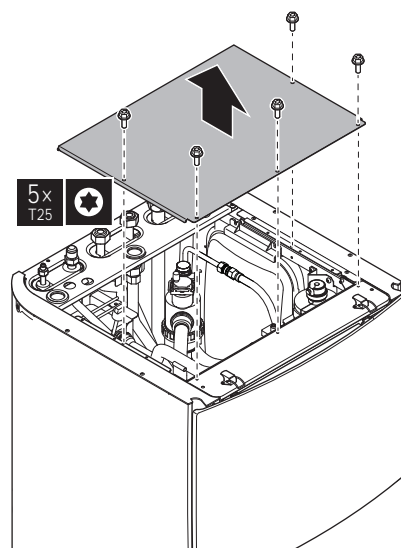
Overview



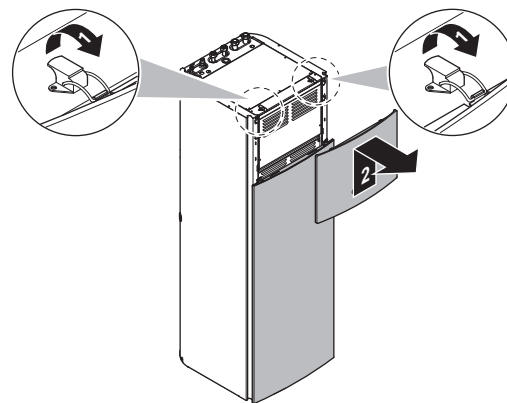
- Top panel
- Upper front panel
- Switch box cover
- Front panel
- High voltage switch box cover

Open

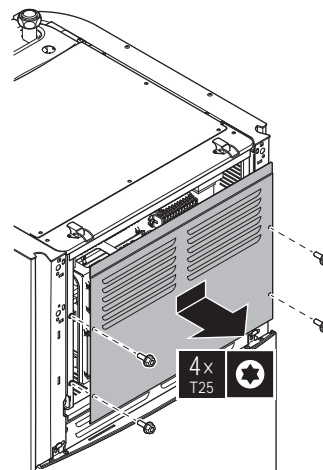
- Remove the top panel.



- Remove the upper front panel. Open the hinges at the top and slide the top panel upwards.



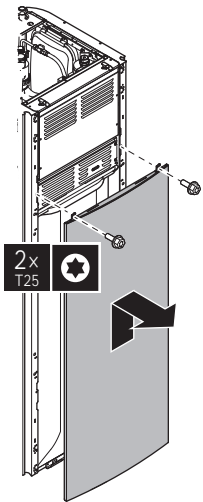
- Remove the switch box cover.



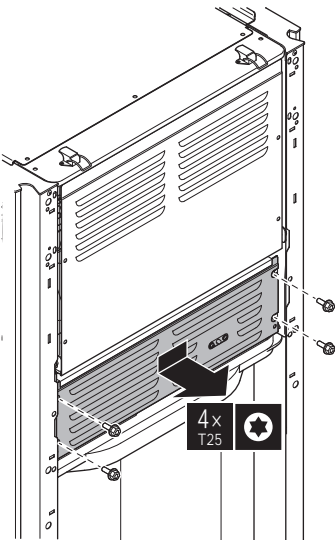
- If necessary, remove the front plate. This is, for example, necessary in the following cases:

- "3.2.2 To lower the switch box on the indoor unit" [▶ 6]
- "3.3.2 To connect the drain hose to the drain" [▶ 7]
- When you need access to the high voltage switch box

3 Unit installation



- 5 If you need access to the high voltage components, remove the high voltage switch box cover.

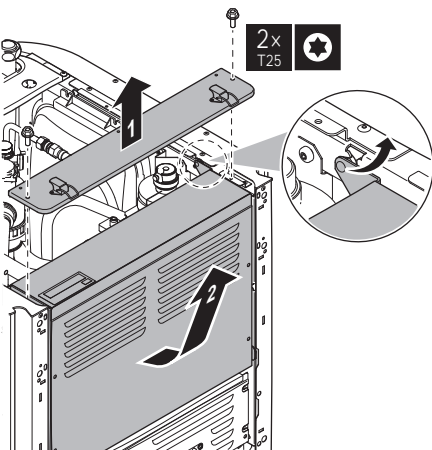


3.2.2 To lower the switch box on the indoor unit

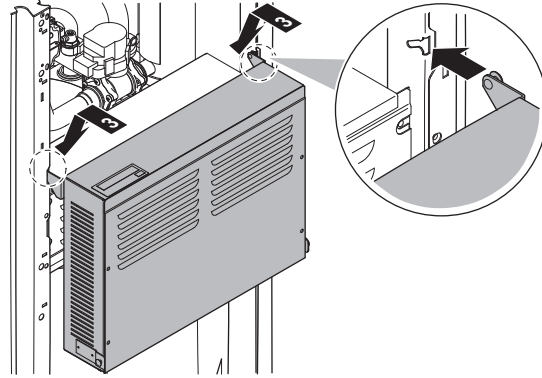
During the installation, you will need access to the inside of the indoor unit. To have easier front access, put the switch box lower on the unit as follows:

Prerequisite: The upper front panel and front panel have been removed.

- 1 Remove the fixing plate at the top of the unit.
- 2 Tilt the switch box to the front and lift it out of its hinges.



- 3 Place the switch box lower on the unit. Use the 2 hinges located lower on the unit.



3.2.3 To close the indoor unit

- 1 Close the cover of the switch box.
- 2 Put the switch box back into place.
- 3 Reinstall the top panel.
- 4 Reinstall the side panels.
- 5 Reinstall the front panel.
- 6 Reinstall the upper front panel.



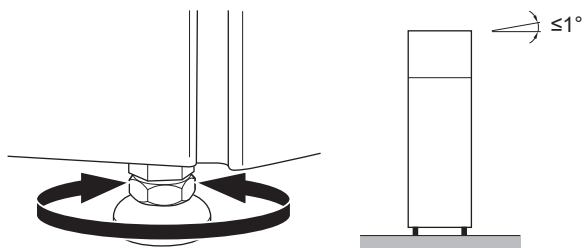
NOTICE

When closing the indoor unit cover, make sure that the tightening torque does NOT exceed 4.1 N·m.

3.3 Mounting the indoor unit

3.3.1 To install the indoor unit

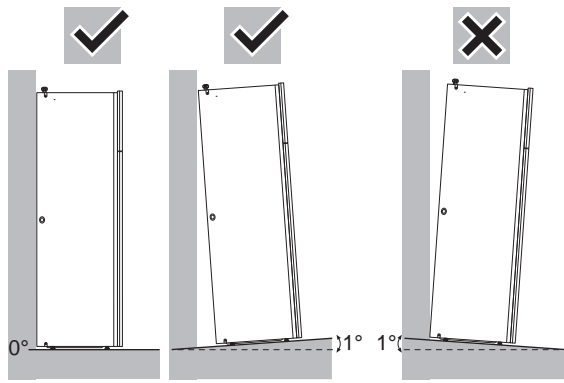
- 1 Lift the indoor unit from the pallet and place it on the floor. Also see "2.1.2 To handle the indoor unit" [▶ 4].
- 2 Connect the drain hose to the drain. See "3.3.2 To connect the drain hose to the drain" [▶ 7].
- 3 Slide the indoor unit into position.
- 4 Adjust the height of the leveling feet to compensate for floor irregularities. The maximum allowed deviation is 1°.





NOTICE

Do NOT tilt the unit forwards:



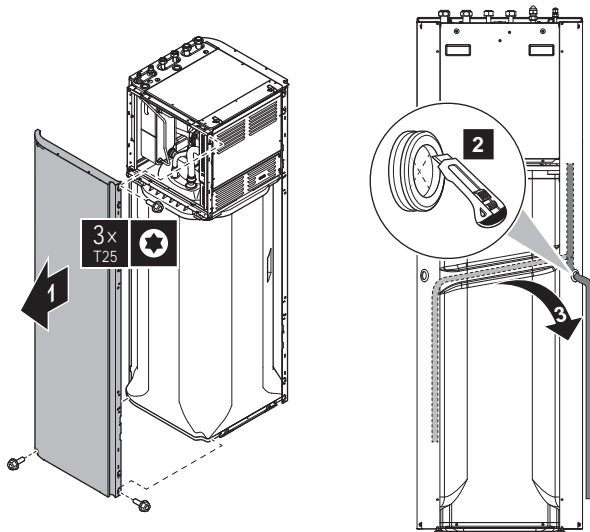
3.3.2 To connect the drain hose to the drain

Water coming from the pressure relief valve is collected in the drain pan. The drain pan is connected to a drain hose inside the unit. You must connect the drain hose to an appropriate drain according to the applicable legislation. You can route the drain hose through the left or right side panel.

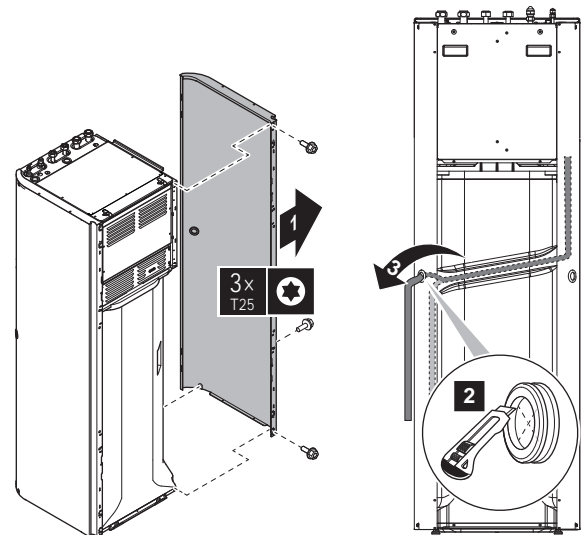
- 1 Remove one of the side panels.
- 2 Cut out the rubber grommet.
- 3 Pull the drain hose through the hole.
- 4 Reattach the side panel. Ensure the water can flow through the drain tube.

It is recommended to use a tundish to collect the water.

Option 1: Through the left side panel



Option 2: Through the right side panel



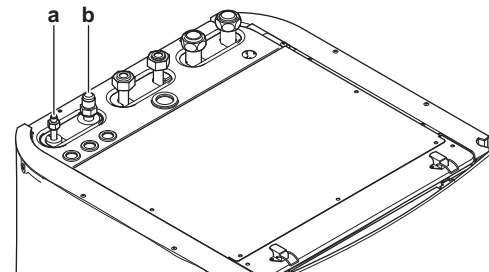
4 Piping installation

4.1 Connecting refrigerant piping

See the installation manual of the outdoor unit for all guidelines, specifications and installation instructions.

4.1.1 To connect the refrigerant piping to the indoor unit

- 1 Connect the liquid stop valve from the outdoor unit to the refrigerant liquid connection of the indoor unit.



- a Refrigerant liquid connection
- b Refrigerant gas connection

- 2 Connect the gas stop valve from the outdoor unit to the refrigerant gas connection of the indoor unit.

4.2 Preparing water piping



NOTICE

In case of plastic pipes, make sure they are fully oxygen diffusion tight according to DIN 4726. The diffusion of oxygen into the piping can lead to excessive corrosion.

4.2.1 To check the water volume and flow rate

Minimum water volume

There are no requirements for the minimum water volume.

However, if you converted the unit to a heating/cooling unit, you need to add an additional 5 liter of water.

4 Piping installation

Minimum flow rate

Check that the minimum flow rate in the installation is guaranteed in all conditions. This minimum flow rate is required during defrost operation. For this purpose, use the overpressure bypass valve delivered with the unit.

NOTICE

When circulation in each or certain space heating loops is controlled by remotely controlled valves, it is important that the minimum flow rate is guaranteed, even if all valves are closed. In case the minimum flow rate cannot be reached, a flow error 7H will be generated (no heating or operation).

See the installer reference guide for more information.

Minimum required flow rate

12 l/min

See the recommended procedure as described in ["7.2 Checklist during commissioning"](#) [▶ 24].

4.3 Connecting water piping

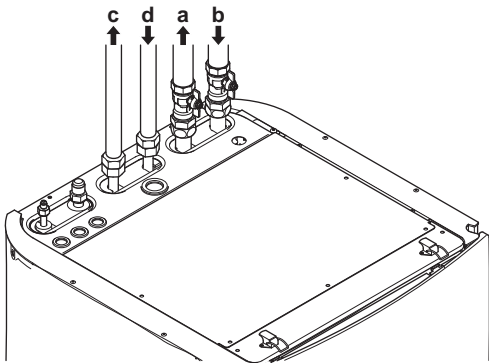
4.3.1 To connect the water piping

NOTICE

Do NOT use excessive force when connecting the piping. Deformation of the piping can cause malfunctioning of the unit.

To facilitate service and maintenance, 2 shut-off valves and 1 overpressure bypass valve are provided. Mount the shut-off valves on the space heating water inlet and space heating water outlet. To ensure the minimum flow rate (and prevent overpressure), install the overpressure bypass valve on the space heating water outlet.

- 1 Install the shut-off valves on the space heating water pipes.
- 2 Screw the indoor unit nuts on the shut-off valve.
- 3 Connect the domestic hot water in and out pipes to the indoor unit.



- a Space heating/cooling water out
- b Space heating/cooling water in
- c Domestic hot water out
- d Domestic cold water in (cold water supply)

NOTICE

It is recommended to install shut-off valves to domestic cold water in and domestic hot water out connections. These shut-off valves are field supplied.

NOTICE



Overpressure bypass valve (delivered as accessory). We recommend to install the overpressure bypass valve in the space heating water circuit.

Mind the minimum flow rate when adjusting the overpressure bypass valve setting. See ["4.2.1 To check the water volume and flow rate"](#) [▶ 7] and ["7.2.1 To check the minimum flow rate"](#) [▶ 24].

NOTICE

Install air purge valves at all local high points.

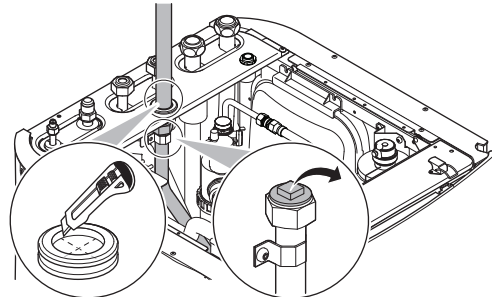
NOTICE

A pressure relief valve (field supply) with an opening pressure of maximum 10 bar (=1 MPa) must be installed on the domestic cold water inlet connection in accordance with the applicable legislation.

4.3.2 To connect the recirculation piping

Prerequisite: Only required if you need recirculation in your system.

- 1 Remove the top panel from the unit, see ["3.2.1 To open the indoor unit"](#) [▶ 5].
- 2 Cut out the rubber grommet on top of the unit, and remove the stop. The recirculation connector is placed below the hole.
- 3 Route the recirculation piping through the grommet and connect it to the recirculation connector.



- 4 Reattach the top panel.

4.3.3 To fill the water circuit

To fill the water circuit, use a field supply filling kit. Make sure you comply with the applicable legislation.

INFORMATION

Make sure both air purge valves (one on the magnetic filter and one on the backup heater) are open.

4.3.4 To fill the domestic hot water tank

- 1 Open every hot water tap in turn to purge air from the system pipe work.
- 2 Open the cold water supply valve.
- 3 Close all water taps after all air is purged.
- 4 Check for water leaks.
- 5 Manually operate the field-installed pressure relief valve to ensure a free water flow through the discharge pipe.


4.3.5 To insulate the water piping


The piping in the complete water circuit MUST be insulated to prevent condensation during cooling operation and reduction of the heating and cooling capacity.


If the temperature is higher than 30°C and the humidity is higher than RH 80%, the thickness of the insulation materials should be at least 20 mm to prevent condensation on the surface of the insulation.


5 Electrical installation

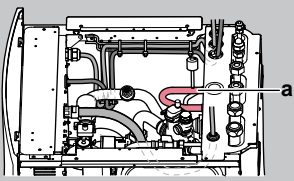
 **DANGER: RISK OF ELECTROCUTION**

 **WARNING**
ALWAYS use multicore cable for power supply cables.

 **CAUTION**
Do NOT push or place redundant cable length in the unit.

 **NOTICE**
The distance between the high voltage and low voltage cables should be at least 50 mm.

 **WARNING**
Make sure that the electrical wiring does NOT touch the refrigerant gas pipe, which can be very hot.



a Refrigerant gas pipe

5.1 About electrical compliance

Only for the backup heater of the indoor unit

See "5.3.2 To connect the backup heater power supply" ▶ 11].

5.2 Guidelines when connecting the electrical wiring




Tightening torques

Indoor unit:













Item	Tightening torque (N•m)
M4 (X1M, X2M, X5M)	1.2~1.5
M4 (earth)	1.2~1.5

5.3 Connections to the indoor unit

Item	Description
Power supply (main)	See "5.3.1 To connect the main power supply" ▶ 10].
Power supply (backup heater)	See "5.3.2 To connect the backup heater power supply" ▶ 11].
User interface	See "5.3.3 To connect the user interface" ▶ 12].
Shut-off valve	See "5.3.4 To connect the shut-off valve (Heating/Cooling)" ▶ 13].

Item	Description
Electricity meters	See "5.3.5 To connect the electricity meters" ▶ 13].
Domestic hot water pump	See "5.3.6 To connect the domestic hot water pump" ▶ 13].
Alarm output	See "5.3.7 To connect the alarm output" ▶ 14].
Space cooling/heating operation control	See "5.3.8 To connect the space cooling/heating ON/OFF output" ▶ 14].
Changeover to external heat source control	See "5.3.9 To connect the changeover to external heat source" ▶ 15].
Power consumption digital inputs	See "5.3.10 To connect the power consumption digital inputs" ▶ 15].
Safety thermostat	See "5.3.11 To connect the safety thermostat (normally closed contact)" ▶ 16].
Room thermostat (wired or wireless)	<p> See:</p> <ul style="list-style-type: none"> Installation manual of the wireless room thermostat Installation manual of the wired room thermostat (digital or analogue) + multi-zoning base unit <ul style="list-style-type: none"> Connection of the wired room thermostat (digital or analogue) to the multi-zoning base unit Connection of the multi-zoning base unit to the indoor unit Addendum book for optional equipment <p> Wires for wired room thermostat: (3 for cooling/heating operation; 2 for heating only operation)×0.75 mm²</p> <p>Wires for wireless room thermostat: (5 for cooling/heating operation; 4 for heating only operation)×0.75 mm²</p> <p>Maximum running current: 100 mA</p> <p> For the main zone:</p> <ul style="list-style-type: none"> [A.2.1.7] Unit control method [A.2.2.4] Contact type main <p>For the additional zone:</p> <ul style="list-style-type: none"> [A.2.2.5] Contact type add.

5 Electrical installation

Item	Description
Heat pump convector	 There are different controllers and setups possible for the heat pump convectors. For more information, see: <ul style="list-style-type: none"> Installation manual of the heat pump convectors Installation manual of the heat pump convector options Addendum book for optional equipment
	 Wires: 4×0.75 mm ² Maximum running current: 100 mA
	 For the main zone: <ul style="list-style-type: none"> [A.2.1.7] Unit control method [A.2.2.4] Contact type main For the additional zone: <ul style="list-style-type: none"> [A.2.2.5] Contact type add.
Remote outdoor sensor	 See: <ul style="list-style-type: none"> Installation manual of the remote outdoor sensor Addendum book for optional equipment
	 Wires: 2×0.75 mm ²
	 [A.2.2.B]=1 (External sensor=Outdoor sensor) [A.6.5] Ext amb. sensor offset [A.6.4] Averaging time
Remote indoor sensor	 See: <ul style="list-style-type: none"> Installation manual of the remote indoor sensor Addendum book for optional equipment
	 Wires: 2×0.75 mm ²
	 [A.2.2.F.5]=2 (External sensor=Room sensor) [A.3.2.3] Ext. room sensor offset
LAN adapter	 See: <ul style="list-style-type: none"> Installation manual of the LAN adapter Addendum book for optional equipment
	 Wires: 2×(0.75~1.25 mm ²). Must be sheathed. Maximum length: 200 m
	 See " LAN adapter – System requirements " 10]

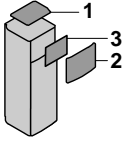
LAN adapter – System requirements

The requirements posed on the Daikin Altherma system depend on the LAN adapter application/system layout (app control):

Item	Requirement
LAN adapter software	It is recommended to ALWAYS keep the LAN adapter software up-to-date.
Unit control method	On the user interface, make sure to set [A.2.1.7]=2 (Unit control method = RT control)



5.3.1 To connect the main power supply

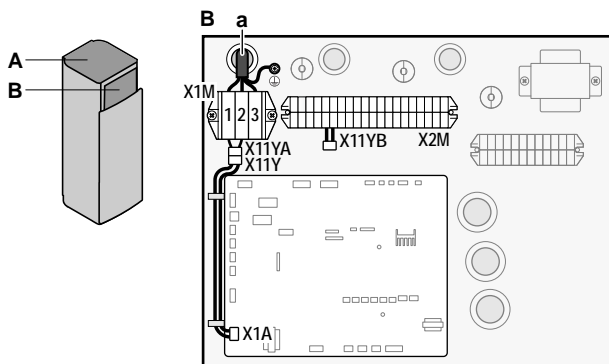
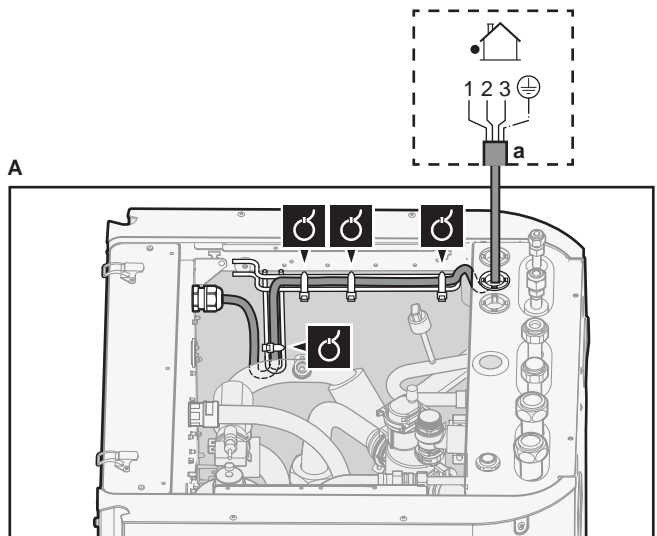
- Open the following (see "[3.2.1 To open the indoor unit](#)" | 5]):

1	Top panel	
2	Upper front panel	
3	Upper switch box cover	

- Connect the main power supply.



In case of normal kWh rate power supply

 Interconnection cable (= main power supply)	Wires: (3+GND)×1.5 mm ²
 —	

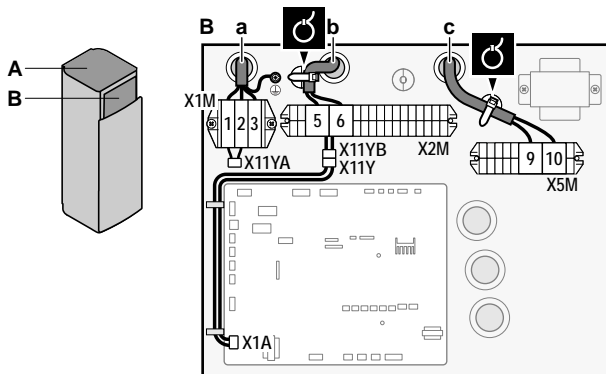
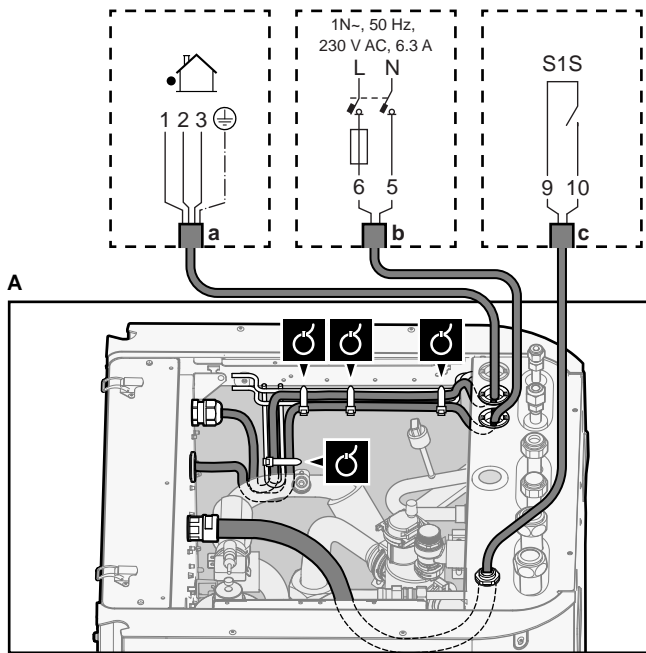


a Interconnection cable (=main power supply)

In case of preferential kWh rate power supply

 Interconnection cable (= main power supply)	Wires: (3+GND)×1.5 mm ²
 [A.2.2.E.3] Preferential kWh rate	Normal kWh rate power supply Wires: 1N Maximum running current: 6.3 A Preferential kWh rate power supply contact Wires: 2×(0.75~1.25 mm ²) Maximum length: 50 m. Preferential kWh rate power supply contact: 16 V DC detection (voltage supplied by PCB). The voltage-free contact shall ensure the minimum applicable load of 15 V DC, 10 mA.

Connect X11Y to X11YB.



- a Interconnection cable (=main power supply)
- b Normal kWh rate power supply
- c Preferential power supply contact

3 Fix the cables with cable ties to the cable tie mountings.

i INFORMATION

In case of preferential kWh rate power supply, connect X11Y to X11YB. The necessity of separate normal kWh rate power supply to indoor unit (b) X2M/5+6 depends on the type of preferential kWh rate power supply.


Separate connection to the indoor unit is required:

- if preferential kWh rate power supply is interrupted when active, OR
- if no power consumption of the indoor unit is allowed at the preferential kWh rate power supply when active.

i INFORMATION

The preferential kWh rate power supply contact is connected to the same terminals (X5M/9+10) as the safety thermostat. Thus, the system can have EITHER preferential kWh rate power supply OR a safety thermostat.

5.3.2 To connect the backup heater power supply

	Backup heater type	Power supply	Wires
	*3V	1N~ 230 V (6V)	2+GND



WARNING

The backup heater **MUST** have a dedicated power supply and **MUST** be protected by the safety devices required by the applicable legislation.



CAUTION

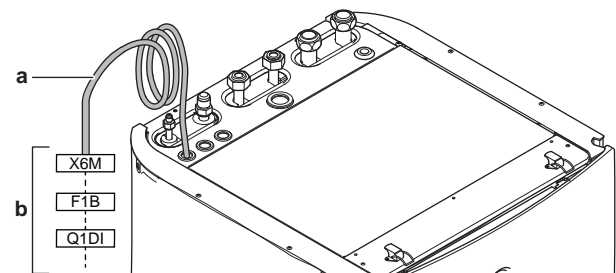
To guarantee the unit is completely earthed, always connect the backup heater power supply and the earth cable.

Make sure that the power supply is in accordance with the backup heater capacity, as listed in the table below.

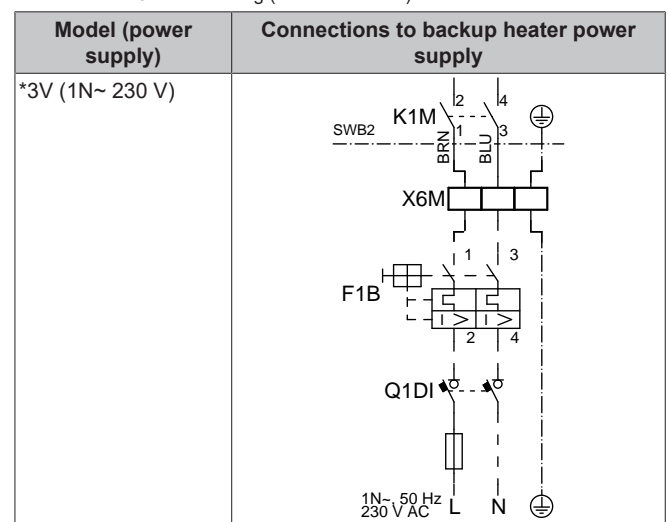
Backup heater type	Backup heater capacity	Power supply	Maximum running current	Z _{max}
*3V	3 kW	1N~ 230 V	13 A ^(a)	0.34 Ω

^(a) This equipment complies with EN/IEC 61000-3-11 (European/International Technical Standard setting the limits for voltage changes, voltage fluctuations and flicker in public low-voltage supply systems for equipment with rated current ≤75 A) provided that the system impedance Z_{sys} is less than or equal to Z_{max} at the interface point between the user's supply and the public system. It is the responsibility of the installer or user of the equipment to ensure, by consultation with the distribution network operator if necessary, that the equipment is connected only to a supply with a system impedance Z_{sys} less than or equal to Z_{max}.

Connect the power supply of the backup heater as following:



- a Factory-mounted cable connected to the contactor of the backup heater, inside the switch box (K1M)
- b Field wiring (see table below)



5 Electrical installation

F1B Overcurrent fuse (field supply). Recommended fuse for *3V models: 2-pole; 20 A; curve 400 V; tripping class C.

K1M Contactor (in the lower switch box)

Q1DI Earth leakage circuit breaker (field supply)

SWB Switch box



X6M Terminal (field supply)

NOTICE

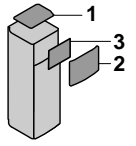
Do NOT cut or remove the backup heater power supply cable.

5.3.3 To connect the user interface

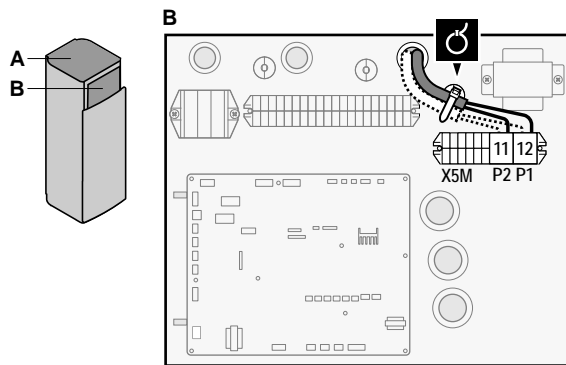
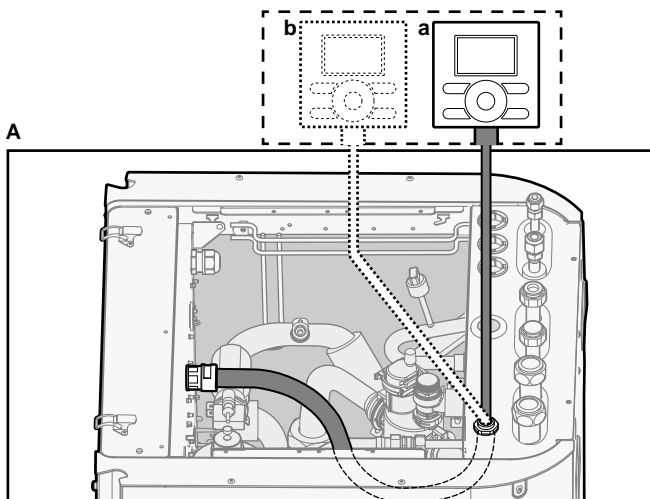
- If you use 1 user interface, you can install it at the indoor unit (for control close to the indoor unit), or in the room (when used as room thermostat).
- If you use 2 user interfaces, you can install 1 user interface at the indoor unit (for control close to the indoor unit) + 1 user interface in the room (used as room thermostat).

	Wires: 2 (per user interface) × (0.75~1.25 mm ²) Maximum length: 200 m
	[A.2.1.7] Unit control method [A.2.1.B] User interface location [A.3.2.2] Room temp. offset

1 Open the following (see "3.2.1 To open the indoor unit" ▶ 5):

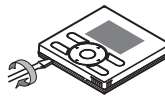
1	Top panel	
2	Upper front panel	
3	Upper switch box cover	

2 Connect the user interface cable to the indoor unit. Fix the cable with cable ties to the cable tie mountings.



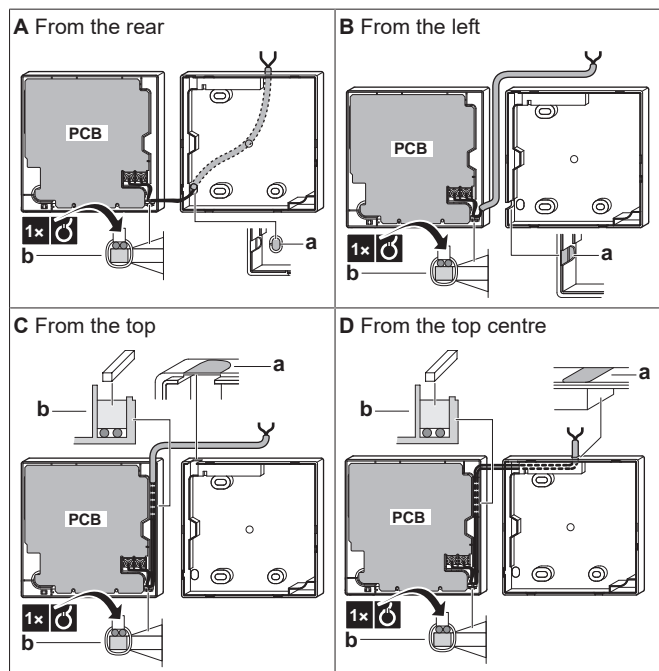
- a Main user interface: Required for operation. Delivered with the unit as accessory.
b Optional user interface

3 Insert a screwdriver into the slots underneath the user interface and carefully separate the faceplate from the wallplate. The PCB is mounted in the faceplate of the user interface. Be careful NOT to damage it.



4 Fix the wallplate of the user interface to the wall.

5 Connect as shown in A, B, C or D:



a Notch this part for the wiring to pass through with nippers etc.

b Secure the wiring to the front part of the casing using the wiring retainer and clamp.

6 Reinstall the faceplate onto the wallplate. Be careful NOT to pinch the wiring when attaching the frontplate to the unit.

5.3.4 To connect the shut-off valve (Heating/ Cooling)

i INFORMATION

Shut-off valve usage example. In case of one LWT zone, and a combination of underfloor heating and heat pump convectors, install a shut-off valve before the underfloor heating to prevent condensation on the floor during cooling operation. For more information, see the installer reference guide.

	Wires: 2×0.75 mm ²
	Maximum running current: 100 mA
	230 V AC supplied by PCB
	[A.3.1.1.6] Shut-off valve

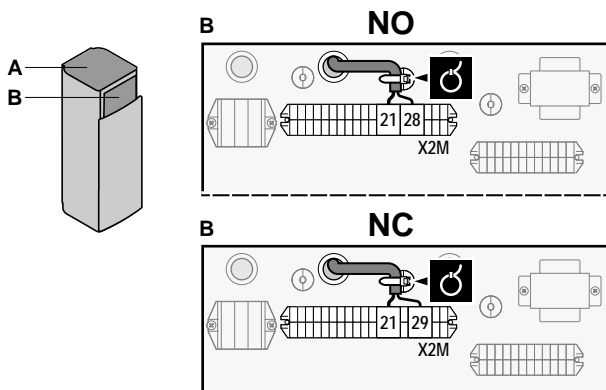
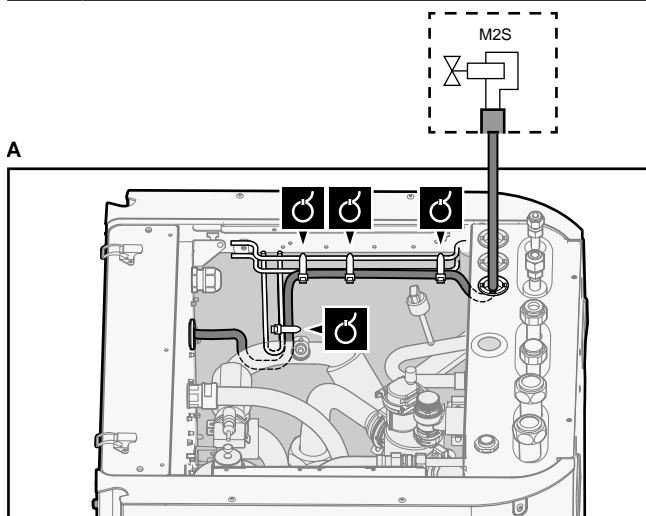
1 Open the following (see "3.2.1 To open the indoor unit" ▶ 5):

1	Top panel	
2	Upper front panel	
3	Upper switch box cover	

2 Connect the valve control cable to the appropriate terminals as shown in the illustration below.

! NOTICE

Wiring is different for a NC (normally closed) valve and a NO (normally open) valve.



3 Fix the cable with cable ties to the cable tie mountings.

5.3.5 To connect the electricity meters

	Wires: 2 (per meter)×0.75 mm ²
	Electricity meters: 12 V DC pulse detection (voltage supplied by PCB)
	[A.2.2.8] External kWh meter (meter 1)
	[A.2.2.9] External kWh meter (meter 2)

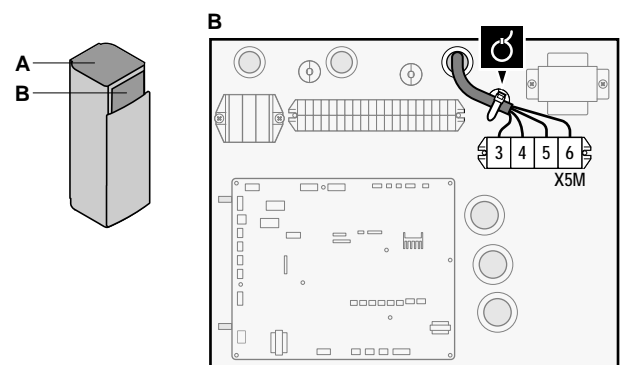
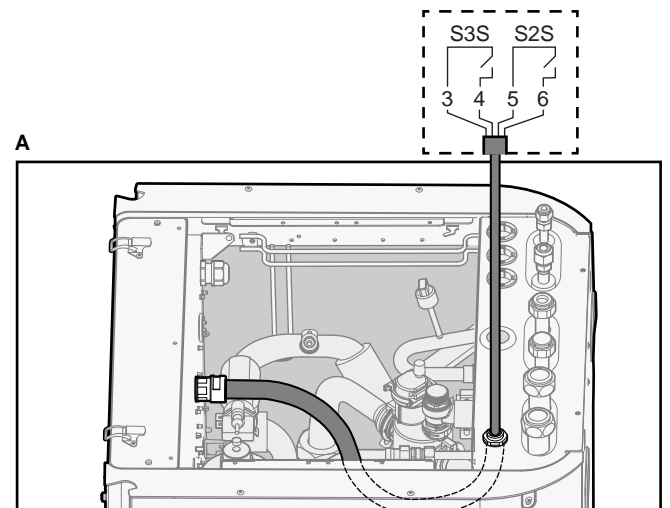
i INFORMATION

In case of an electricity meter with transistor output, check the polarity. The positive polarity MUST be connected to X5M/6 and X5M/4; the negative polarity to X5M/5 and X5M/3.

1 Open the following (see "3.2.1 To open the indoor unit" ▶ 5):

1	Top panel	
2	Upper front panel	
3	Upper switch box cover	

2 Connect the electricity meters cable to the appropriate terminals as shown in the illustration below.



3 Fix the cable with cable ties to the cable tie mountings.

5.3.6 To connect the domestic hot water pump

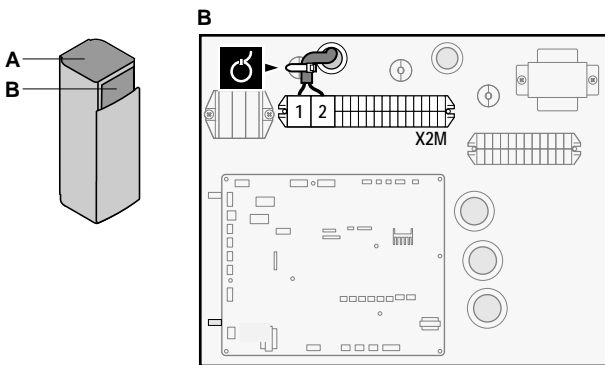
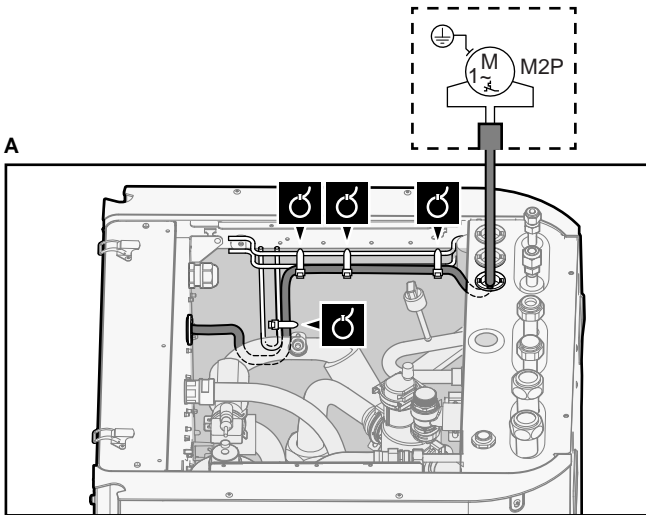
	Wires: (2+GND)×0.75 mm ²
	DHW pump output. Maximum load: 2 A (inrush), 230 V AC, 1 A (continuous)
	[A.2.2] Options > [A.2.2.A] DHW pump
	[7.3] Set schedules > [7.3.7] DHW pump

1 Open the following (see "3.2.1 To open the indoor unit" ▶ 5):

5 Electrical installation

1	Top panel	
2	Upper front panel	
3	Upper switch box cover	

- 2 Connect the domestic hot water pump cable to the appropriate terminals as shown in the illustration below.



- 3 Fix the cable with cable ties to the cable tie mountings.

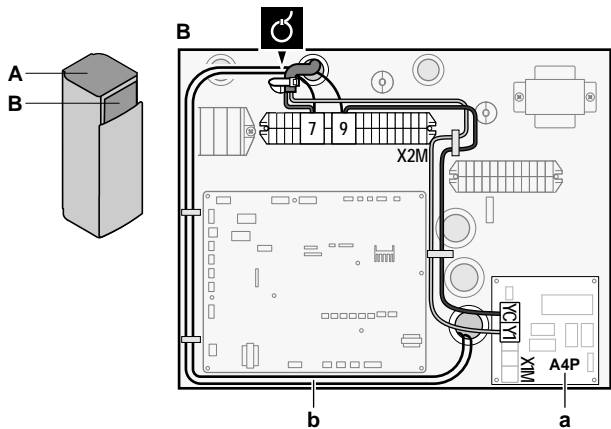
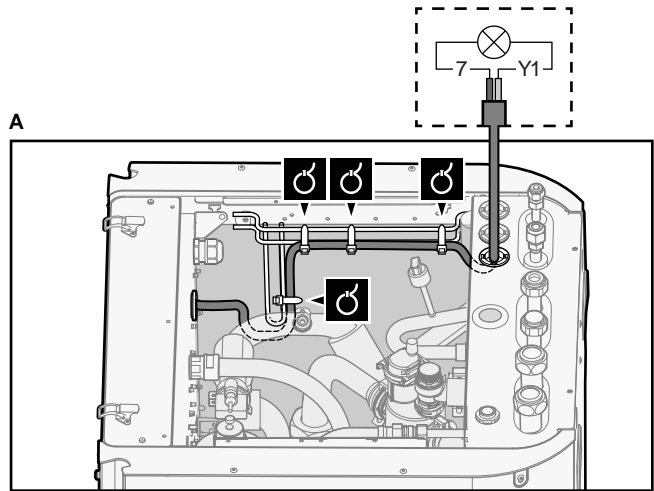
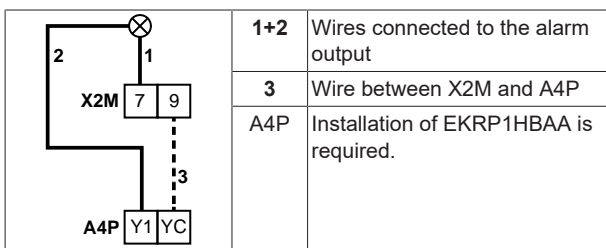
5.3.7 To connect the alarm output

	Wires: (2+1)×0.75 mm ² Maximum load: 0.3 A, 250 V AC
	[A.2.2.6.3] Alarm output

- 1 Open the following (see "3.2.1 To open the indoor unit" ▶ 5):

1	Top panel	
2	Upper front panel	
3	Upper switch box cover	

- 2 Connect the alarm output cable to the appropriate terminals as shown in the illustration below.



- a Installation of EKRP1HBAA is required.
b Prewiring between X2M/7+9 and Q1L (= thermal protector backup heater). Do NOT change.

- 3 Fix the cable with cable ties to the cable tie mountings.

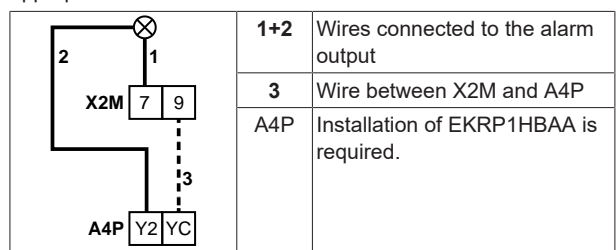
5.3.8 To connect the space cooling/heating ON/OFF output

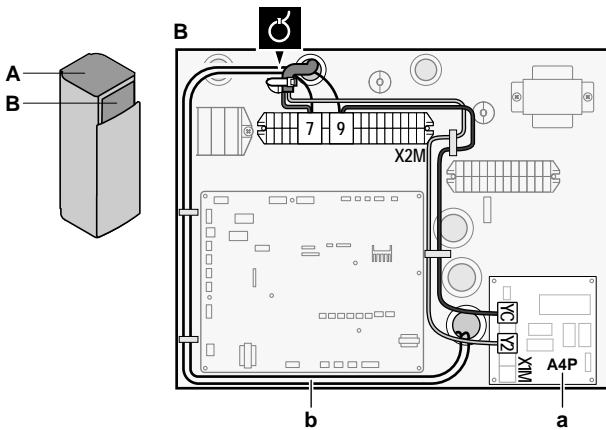
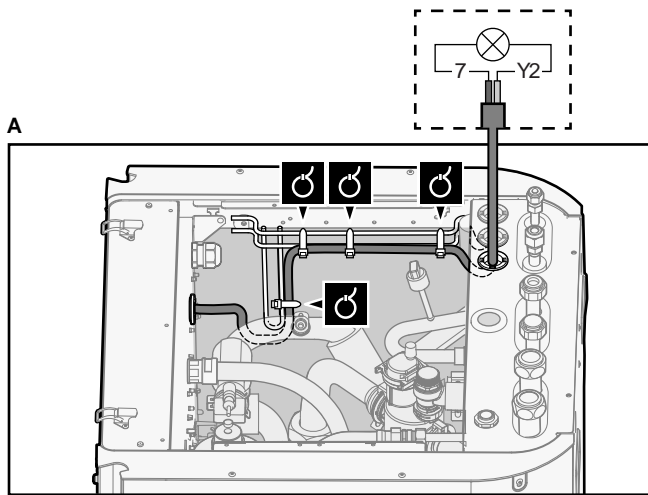
	Wires: (2+1)×0.75 mm ² Maximum load: 0.3 A, 250 V AC
	—

- 1 Open the following (see "3.2.1 To open the indoor unit" ▶ 5):

1	Top panel	
2	Upper front panel	
3	Upper switch box cover	

- 2 Connect the space cooling/heating ON/OFF output cable to the appropriate terminals as shown in the illustration below.





- a Installation of EKR1HBAA is required.
- b Prewiring between X2M/7+9 and Q1L (= thermal protector backup heater). Do NOT change.

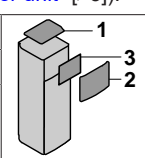
3 Fix the cable with cable ties to the cable tie mountings.

5.3.9 To connect the changeover to external heat source

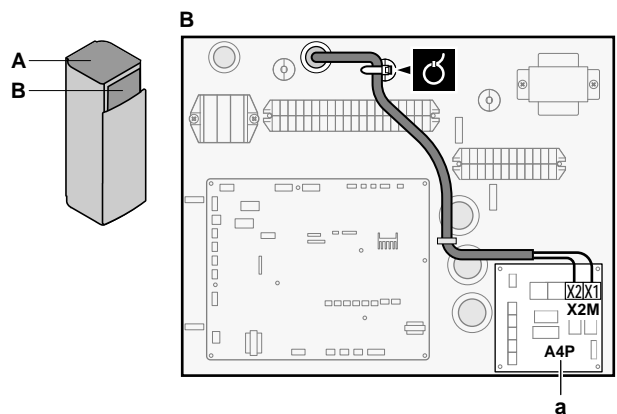
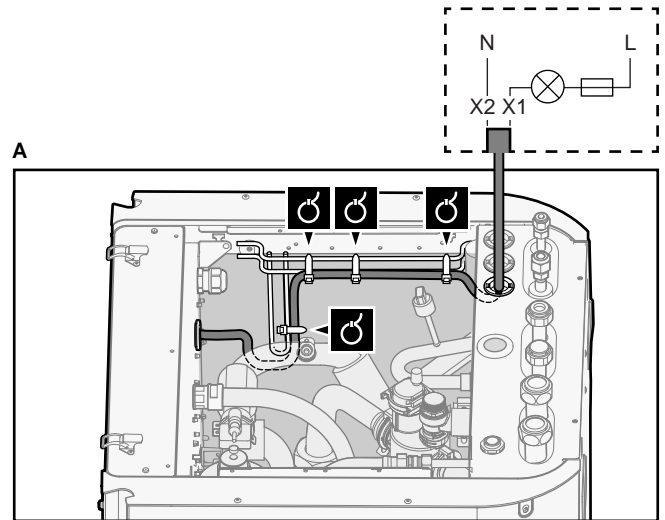
	Wires: 2×0.75 mm ² Maximum load: 0.3 A, 250 V AC Minimum load: 20 mA, 5 V DC
	[A.2.2.6.1] Ext. backup heat src

1 Open the following (see "3.2.1 To open the indoor unit" [p 5]):

1	Top panel
2	Upper front panel
3	Upper switch box cover



2 Connect the changeover to external heat source cable to the appropriate terminals as shown in the illustration below.



- a Installation of EKR1HBAA is required.

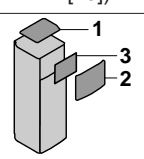
3 Fix the cable with cable ties to the cable tie mountings.

5.3.10 To connect the power consumption digital inputs

	Wires: 2 (per input signal)×0.75 mm ² Power limitation digital inputs: 12 V DC / 12 mA detection (voltage supplied by PCB)
	[A.6.3] Pwr consumpt. control

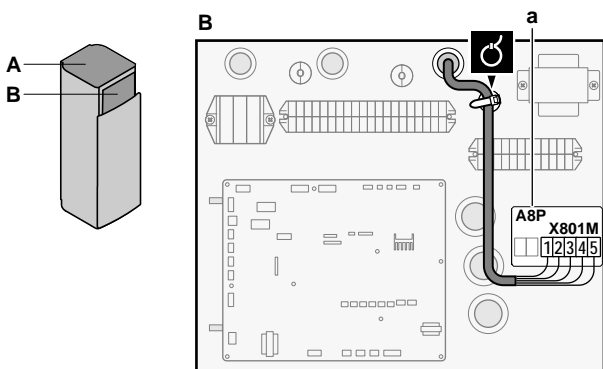
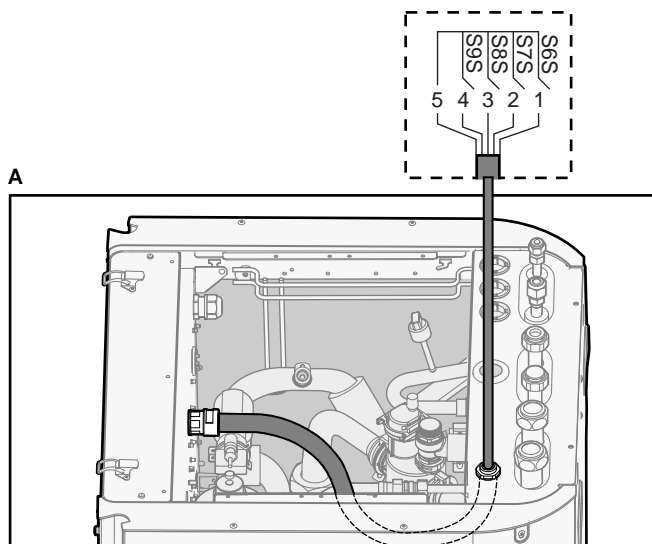
1 Open the following (see "3.2.1 To open the indoor unit" [p 5]):

1	Top panel
2	Upper front panel
3	Upper switch box cover



2 Connect the power consumption digital inputs cable to the appropriate terminals as shown in the illustration below.

5 Electrical installation



a Installation of EKR P1AHTA is required.

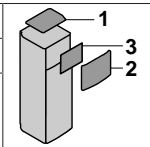
- 3 Fix the cable with cable ties to the cable tie mountings.

5.3.11 To connect the safety thermostat (normally closed contact)

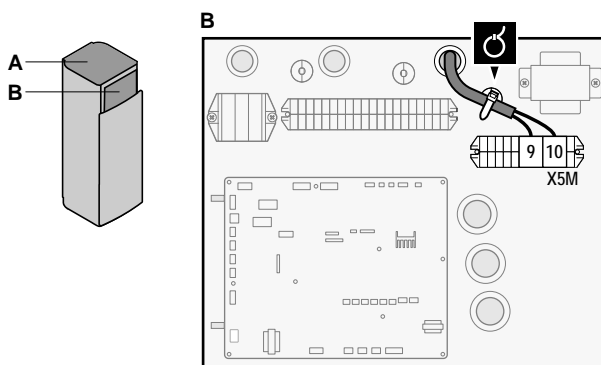
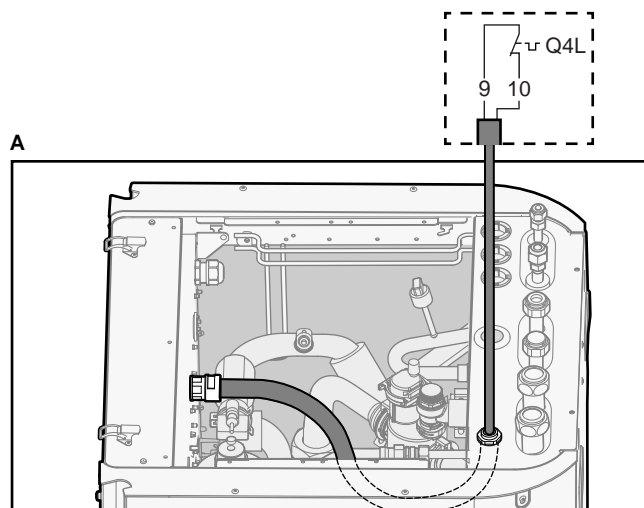
	Wires: 2×0.75 mm ² Maximum length: 50 m Safety thermostat contact: 16 V DC detection (voltage supplied by PCB). The voltage-free contact shall ensure the minimum applicable load of 15 V DC, 10 mA.
	[A.2.1.6]=3 (Forced off contact = Thermostat)

- 1 Open the following (see "3.2.1 To open the indoor unit" ▶ 5):

- | | |
|---|------------------------|
| 1 | Top panel |
| 2 | Upper front panel |
| 3 | Upper switch box cover |



- 2 Connect the safety thermostat (normally closed) cable to the appropriate terminals as shown in the illustration below.



- 3 Fix the cable with cable ties to the cable tie mountings.



NOTICE

Make sure to select and install the safety thermostat according to the applicable legislation.

In any case, to prevent unnecessary tripping of the safety thermostat, we recommend the following:

- The safety thermostat is automatically resettable.
- The safety thermostat has a maximum temperature variation rate of 2°C/min.
- There is a minimum distance of 2 m between the safety thermostat and the 3-way valve.



INFORMATION

ALWAYS configure the safety thermostat after it is installed. Without configuration, the indoor unit will ignore the safety thermostat contact.

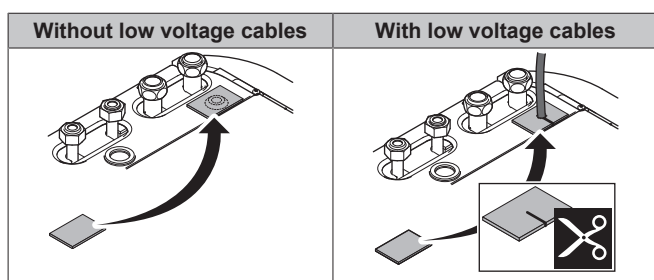


INFORMATION

The preferential kWh rate power supply contact is connected to the same terminals (X5M/9+10) as the safety thermostat. Thus, the system can have EITHER preferential kWh rate power supply OR a safety thermostat.

5.4 After connecting the electrical wiring to the indoor unit

To prevent water ingress to the switch box, seal the low voltage wiring intake using the sealing tape (delivered as accessory).



6 Configuration

6.1 Overview: Configuration

This chapter describes what you have to do and know to configure the system after it is installed.



NOTICE

This chapter explains only the basic configuration. For more detailed explanation and background information, see the installer reference guide.

Why

If you do NOT configure the system correctly, it might NOT work as expected. The configuration influences the following:

- The calculations of the software
- What you can see on and do with the user interface

How

You can configure the system via the user interface.

- **First time – Quick wizard.** When you turn ON the user interface for the first time (via the indoor unit), a quick wizard starts to help you configure the system.
- **Afterwards.** If necessary, you can make changes to the configuration afterwards.



INFORMATION

When the installer settings are changed, the user interface will request to confirm. When confirmed, the screen will shortly turn OFF and "busy" will be displayed for several seconds.

Accessing settings – Legend for tables

You can access the installer settings using two different methods. However, NOT all settings are accessible via both methods. If so, the corresponding table columns in this chapter are set to N/A (not applicable).

Method	Column in tables
Accessing settings via the breadcrumb in the menu structure.	# For example: [A.2.1.7]
Accessing settings via the code in the overview settings.	Code For example: [C-07]

See also:

- ["To access the installer settings" \[p 17\]](#)
- ["6.4 Menu structure: Overview installer settings" \[p 23\]](#)

6.1.1 To change the user permission level

Default user permission level

The default user permission level is End user.

To set the user permission level to End user

- 1 Press for more than 4 seconds.

Result: Your user permission level is now End user. The user interface displays the default home page.

To set the user permission level to Advanced end user

- 1 Go to the main menu or any of its submenus: .
- 2 Press for more than 4 seconds.

Result: Your user permission level is now Adv. end user. The user interface displays additional information and a "+" is added to the menu title. The user permission level stays in Adv. end user until manually set otherwise.

To set the user permission level to Installer

Prerequisite: Your user permission level is Adv. end user.

- 1 Go to [6.4]: > Information > User permission level.
- 2 Press for more than 4 seconds.

Result: Your user permission level is now Installer. The home pages display .



INFORMATION

The Installer permission level switches automatically back to End user in the following cases:

- If you press again for more than 4 seconds, or
- If you do NOT press any button for more than 1 hour

6.1.2 To access the most used commands

To access the installer settings

- 1 Set the user permission level to Installer.
- 2 Go to [A]: > Installer settings.

To access the overview settings

- 1 Set the user permission level to Installer.
- 2 Go to [A.8]: > Installer settings > Overview settings.

To modify an overview setting

Example: Modify [1-01] from 15 to 20.

- 1 Go to [A.8]: > Installer settings > Overview settings.
- 2 Go to the corresponding screen of the first part of the setting (in this example [1-01]) by using the and button.



INFORMATION

An additional 0-digit is added to the first part of the setting when you access the codes in the overview settings.

Example: [1-01]: "1" will result in "01".

Overview settings				
	01			
00	01	15	02	03
04	05		06	07
08	09		0a	0b
0c	0d		0e	0f
OK Confirm Adjust Scroll				

- 3 Go to the corresponding second part of the setting (in this example [1-01]) by using the and button.

6 Configuration

Overview settings			
01			
00	01	15	02 03
04	05	06	07
08	09	0a	0b
0c	0d	0e	0f
OK Confirm ◀ Adjust ▶ Scroll			

Result: The value to be modified is now highlighted.

- 4 Modify the value by using the ▶ and ◀ button.

Overview settings			
01			
00	01	20	02 03
04	05	06	07
08	09	0a	0b
0c	0d	0e	0f
OK Confirm ◀ Adjust ▶ Scroll			

- 5 Repeat previous steps if you have to modify other settings.
- 6 Push **OK** to confirm the modification of the parameter.
- 7 At installer settings menu, press **OK** to confirm the settings.

Installer settings	
The system will restart.	
OK	Cancel
OK Confirm ▶ Adjust	

Result: The system will restart.

6.2 Basic configuration

6.2.1 Quick wizard: Language / time and date

#	Code	Description
[A.1]	N/A	Language
[1]	N/A	Time and date

6.2.2 Quick wizard: Standard

Space heating/cooling settings

#	Code	Description
[A.2.1.7]	[C-07]	Unit temperature control: <ul style="list-style-type: none"> 0 (LWT control): Unit operation is decided based on the leaving water temperature. 1 (Ext RT control): Unit operation is decided by the external thermostat. 2 (RT control): Unit operation is decided based on the ambient temperature of the user interface.
[A.2.1.B]	N/A	Only if there are 2 user interfaces: User interface location: <ul style="list-style-type: none"> At unit In room
[A.2.1.8]	[7-02]	Number of water temperature zones: <ul style="list-style-type: none"> 0 (1 LWT zone): Main 1 (2 LWT zones): Main + additional

#	Code	Description
[A.2.1.9]	[F-0D]	Pump operation: <ul style="list-style-type: none"> 0 (Continuous): Continuous pump operation, regardless of thermo ON or OFF condition. 1 (Sample): When thermo OFF condition occurs, the pump runs every 5 minutes and the water temperature is checked. If the water temperature is below target, unit operation can start. 2 (Request): Pump operation based on request. Example: Using a room thermostat and thermostat creates thermo ON/OFF condition.

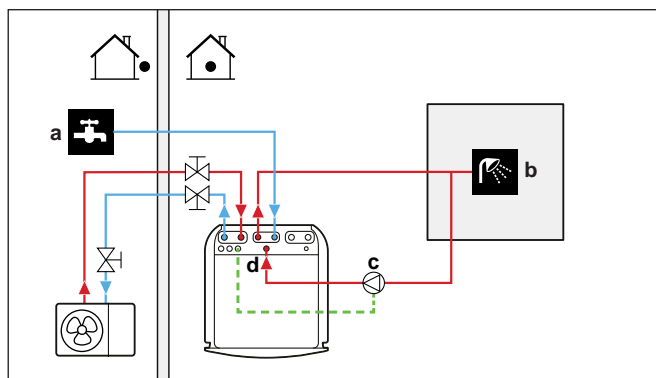
6.2.3 Quick wizard: Options

Domestic hot water settings

#	Code	Description
[A.2.2.1]	[E-05]	DHW operation: Can the system prepare domestic hot water? <ul style="list-style-type: none"> 0 (No): NOT installed 1 (Yes): Installed
[A.2.2.3]	[E-07]	DHW tank type: <ul style="list-style-type: none"> 1 (Type 2): The backup heater will also be used for domestic hot water heating. Range: 0~6. Note: Values 0 and 2~6 are not applicable for this setting. Moreover, if the setting is set to 6, an error code will appear and the system will NOT operate.
[A.2.2.A]	[D-02]	Domestic hot water pump: <ul style="list-style-type: none"> 0 (No): NOT installed 1 (Secondary rtrn): Installed for instant hot water 2 (Disinf. shunt): Installed for disinfection See also illustrations below.

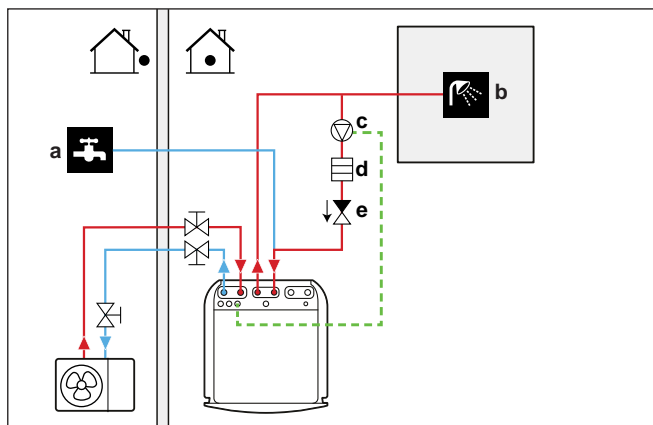
Domestic hot water pump installed for ...

... instant hot water



- a Cold water
- b Shower
- c Domestic hot water pump
- d Recirculation connection

... disinfection



- a Cold water
- b Shower
- c Domestic hot water pump
- d Heater element
- e Non-return valve

Thermostats and external sensors



NOTICE

If an external room thermostat is used, the external room thermostat will control the room frost protection. However, the room frost protection is only possible if the leaving water temperature control on user interface of the unit is turned ON.

#	Code	Description
[A.2.2.4]	[C-05]	<p>External room thermostat for the main zone:</p> <ul style="list-style-type: none"> ▪ 1 (Thermo ON/OFF): When the used external room thermostat or heat pump convector can only send a thermo ON/OFF condition. ▪ 2 (H/C request): When the used external room thermostat can send a separate heating/cooling thermo ON/OFF condition.
[A.2.2.5]	[C-06]	<p>External room thermostat for the additional zone:</p> <ul style="list-style-type: none"> ▪ 0: N/A ▪ 1 (Thermo ON/OFF): When the used external room thermostat or heat pump convector can only send a thermo ON/OFF condition. ▪ 2 (H/C request): When the used external room thermostat can send a separate heating/cooling thermo ON/OFF condition.
[A.2.2.B]	[C-08]	<p>External sensor:</p> <ul style="list-style-type: none"> ▪ 0 (No): NOT installed. ▪ 1 (Outdoor sensor): Connected to PCB measuring the outdoor temperature. ▪ 2 (Room sensor): Connected to PCB measuring the indoor temperature.

Digital I/O PCB

#	Code	Description
[A.2.2.6.1]	[C-02]	<p>External backup heater source:</p> <ul style="list-style-type: none"> ▪ 0 (No): None ▪ 1 (Bivalent): Gas, oil boiler ▪ 2: N/A ▪ 3: N/A
[A.2.2.6.2]	[D-07]	<p>Solar pump station kit:</p> <ul style="list-style-type: none"> ▪ 0 (No): NOT installed ▪ 1 (Yes): Installed
[A.2.2.6.3]	[C-09]	<p>Alarm output on optional EKRP1HBAA PCB:</p> <ul style="list-style-type: none"> ▪ 0 (Normally open): The alarm output will be powered when an alarm occurs. By setting this value, a distinction is made between the detection of an alarm, and the detection of a power failure. ▪ 1 (Normally closed): The alarm output will NOT be powered when an alarm occurs. <p>Also see table below: Alarm output logic.</p>
[A.2.2.6.4]	[F-04]	<p>Bottom plate heater</p> <ul style="list-style-type: none"> ▪ 0 (No): NOT installed ▪ 1 (Yes): Installed

Alarm output logic

[C-09]	Alarm	No alarm	No power supply to unit
0 (default)	Closed output	Open output	Open output
1	Open output	Closed output	

Demand PCB

#	Code	Description
[A.2.2.7]	[D-04]	<p>Demand PCB</p> <p>Indicates if the optional demand PCB is installed.</p> <ul style="list-style-type: none"> ▪ 0 (No) ▪ 1 (Pwr consmp ctrl)

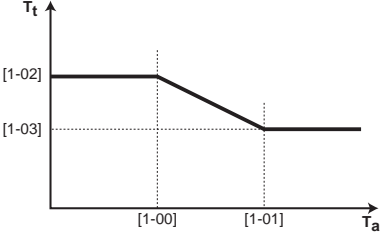
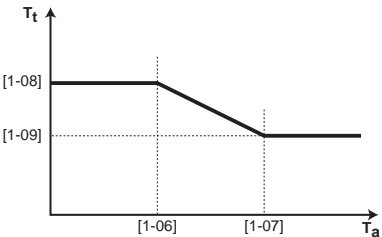
Energy metering

#	Code	Description
[A.2.2.8]	[D-08]	<p>Optional external kWh meter 1:</p> <ul style="list-style-type: none"> ▪ 0 (No): NOT installed ▪ 1: Installed (0.1 pulse/kWh) ▪ 2: Installed (1 pulse/kWh) ▪ 3: Installed (10 pulse/kWh) ▪ 4: Installed (100 pulse/kWh) ▪ 5: Installed (1000 pulse/kWh)
[A.2.2.9]	[D-09]	<p>Optional external kWh meter 2:</p> <ul style="list-style-type: none"> ▪ 0 (No): NOT installed ▪ 1: Installed (0.1 pulse/kWh) ▪ 2: Installed (1 pulse/kWh) ▪ 3: Installed (10 pulse/kWh) ▪ 4: Installed (100 pulse/kWh) ▪ 5: Installed (1000 pulse/kWh)

6 Configuration

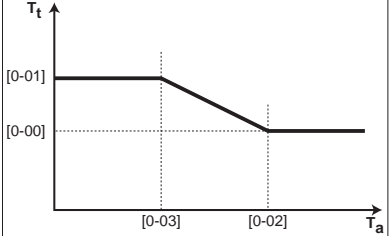
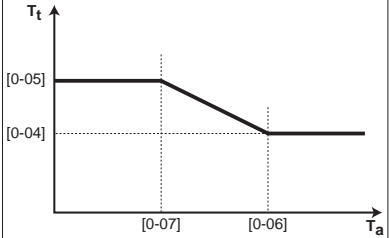
6.2.4 Space heating/cooling control

Leaving water temperature: Main zone

#	Code	Description
[A.3.1.1.1]	N/A	Select the setpoint mode of the leaving water temperature. LWT setpoint mode: <ul style="list-style-type: none"> 0 (Fixed): Absolute 1 (Weather dep.): Weather-dependent 2 (Fixed/scheduled): Absolute + scheduled (only if Unit control method=LWT control) 3 (WD/scheduled): Weather-dependent + scheduled (only if Unit control method=LWT control)
[7.7.1.1]	[1-00] [1-01] [1-02] [1-03]	If you selected weather-dependent curve as a setpoint mode, adjust the curve to your needs. ^(a) Set weather-dependent heating:  <ul style="list-style-type: none"> T_t: Target leaving water temperature (main) T_a: Outdoor temperature
[7.7.1.2]	[1-06] [1-07] [1-08] [1-09]	If you selected weather-dependent curve as a setpoint mode, adjust the curve to your needs. ^(a) Set weather-dependent cooling:  <ul style="list-style-type: none"> T_t: Target leaving water temperature (main) T_a: Outdoor temperature

^(a) Also see "6.3 Weather-dependent curve" ▶ 21].

Leaving water temperature: Additional zone

#	Code	Description
[A.3.1.2.1]	N/A	Select the setpoint mode of the leaving water temperature. LWT setpoint mode: <ul style="list-style-type: none"> 0 (Fixed): Absolute 1 (Weather dep.): Weather-dependent 2 (Fixed/scheduled): Absolute + scheduled (only if Unit control method=LWT control) 3 (WD/scheduled): Weather-dependent + scheduled (only if Unit control method=LWT control)
[7.7.2.1]	[0-00] [0-01] [0-02] [0-03]	If you selected weather-dependent curve as a setpoint mode, adjust the curve to your needs. ^(a) Set weather-dependent heating:  <ul style="list-style-type: none"> T_t: Target leaving water temperature (additional) T_a: Outdoor temperature
[7.7.2.2]	[0-04] [0-05] [0-06] [0-07]	If you selected weather-dependent curve as a setpoint mode, adjust the curve to your needs. ^(a) Set weather-dependent cooling:  <ul style="list-style-type: none"> T_t: Target leaving water temperature (additional) T_a: Outdoor temperature

^(a) Also see "6.3 Weather-dependent curve" ▶ 21].

Leaving water temperature: Delta T source

The Delta T is the required temperature difference between entering and leaving water. This applies to both temperature zones. Change the value of Delta T if another minimum temperature difference is required for the good operation of the heat emitters in heating or cooling mode.

#	Code	Description
[A.3.1.3.1]	[9-09]	Delta T for heating Range: 3°C~10°C
[A.3.1.3.2]	[9-0A]	Delta T for cooling Range: 3°C~10°C

Leaving water temperature: Modulation

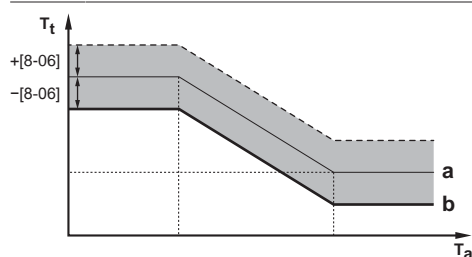
To allow better matching of the heat pump capacity with the actual required capacity, enable the leaving water temperature modulation. If modulation is enabled, the unit calculates the leaving water temperature according to the difference between desired and actual room temperature. As a result, the heat pump will have less start/stop cycles and thus operate more economical.

If modulation is enabled, you can also set the maximum modulation of the leaving water temperature. The maximum modulation is the value by which the desired leaving water temperature is increased or lowered.

#	Code	Description
[A.3.1.1.5]	[8-05]	Modulated LWT: <ul style="list-style-type: none"> ▪ 0 (No): Disabled ▪ 1 (Yes): Enabled
N/A	[8-06]	Maximum modulation: Range: 0°C~10°C

i INFORMATION

When leaving water temperature modulation is enabled, the weather-dependent curve needs to be set to a higher position than [8-06] plus the minimum leaving water temperature setpoint required to reach a stable condition on the comfort setpoint for the room. To increase efficiency, modulation can lower the leaving water setpoint. By setting the weather-dependent curve to a higher position, it cannot drop below the minimum setpoint. See the illustration below.



- a** Weather-dependent curve
- b** Minimum leaving water temperature setpoint required to reach a stable condition on the comfort setpoint for the room.
- T_t Target leaving water temperature
- T_a Outdoor temperature

Leaving water temperature: Emitter type

Heating up or cooling down the main zone can take longer. This depends on:

- The water volume of the system
- The heater emitter type of the main zone

The setting Emitter type can compensate for a slow or a quick heating/cooling system during the heat up/cool down cycle. In room thermostat control, the emitter type influences the maximum modulation of the desired leaving water temperature, and the possibility for usage of the automatic cooling/heating changeover based on the indoor ambient temperature.

It is important to set the emitter type correctly and in accordance with your system layout. The target delta T for the main zone depends on it.

#	Code	Description
[A.3.1.1.7]	[2-0C]	Emitter type <ul style="list-style-type: none"> ▪ 0: Underfloor heat ▪ 1: Fancoil unit ▪ 2: Radiator

6.2.5 Domestic hot water control

#	Code	Description
[A.4.1]	[6-0D]	Domestic hot water Type: <ul style="list-style-type: none"> ▪ 0 (Reheat only): Only reheat operation is allowed. ▪ 1 (Reheat + sched.): Same as 2, but between the scheduled heatup cycles, reheat operation is allowed. ▪ 2 (Scheduled only): The domestic hot water tank can ONLY be heated according to a schedule.
[A.4.5]	[6-0E]	The maximum temperature that users can select for the domestic hot water. You can use this setting to limit the temperature at the hot water taps.

i INFORMATION

There is a risk of space heating (or cooling) capacity shortage/comfort problem when selecting [6-0D]=0 ([A.4.1] Domestic hot water Type=Reheat only).

In case of frequent domestic hot water operation, frequent and long space heating interruption will happen.

6.2.6 Contact/helpdesk number

#	Code	Description
[6.3.2]	N/A	Number that users can call in case of problems.

6.3 Weather-dependent curve

6.3.1 What is a weather-dependent curve?

Weather-dependent operation

The unit operates 'weather dependent' if the desired leaving water or tank temperature is determined automatically by the outdoor temperature. It therefore is connected to a temperature sensor on the North wall of the building. If the outdoor temperature drops or rises, the unit compensates instantly. Thus, the unit does not have to wait for feedback by the thermostat to increase or decrease the temperature of the leaving water or tank. Because it reacts more quickly, it prevents high rises and drops of the indoor temperature and water temperature at tap points.

Advantage

Weather-dependent operation reduces energy consumption.

Weather-dependent curve

To be able to compensate for differences in temperature, the unit relies on its weather-dependent curve. This curve defines how much the temperature of the tank or leaving water must be at different outdoor temperatures. Because the slope of the curve depends on local circumstances such as climate and the insulation of the house, the curve can be adjusted by an installer or user.

Availability

The weather-dependent curve is available for:

- Main zone - Heating
- Main zone - Cooling
- Additional zone - Heating
- Additional zone - Cooling
- Tank

6 Configuration

i INFORMATION

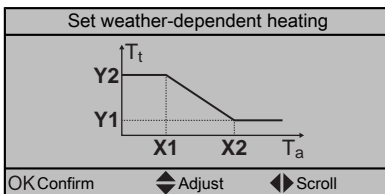
To operate weather dependent, correctly configure the setpoint of the main zone, additional zone or tank. See "6.3.3 Using weather-dependent curves" [p 22].

6.3.2 2-points curve

Define the weather-dependent curve with these two setpoints:

- Setpoint (X1, Y2)
- Setpoint (X2, Y1)

Example



X1, X2 Examples of outdoor ambient temperature
Y1, Y2 Examples of desired tank temperature or leaving water temperature

6.3.3 Using weather-dependent curves

Configure weather-dependent curves as following:

To define the setpoint mode

To use the weather-dependent curve, you need to define the correct setpoint mode:

Go to setpoint mode ...	Set the setpoint mode to ...
Main zone – Heating/Cooling	
[A.3.1.1.1] Main > LWT setpoint mode	Weather dep. OR WD/scheduled
Additional zone – Heating/Cooling	
[A.3.1.2.1] Additional > LWT setpoint mode	Weather dep. OR WD/scheduled
Tank	
[A.4.6] Domestic hot water (DHW) > SP mode	Weather dep.

To change the weather-dependent curve

Zone	Go to ...
Main zone – Heating	[7.7.1.1] Main > Set weather-dependent heating
Main zone – Cooling	[7.7.1.2] Main > Set weather-dependent cooling
Additional zone – Heating	[7.7.2.1] Additional > Set weather-dependent heating
Additional zone – Cooling	[7.7.2.2] Additional > Set weather-dependent cooling
Tank	[A.4.7] Domestic hot water (DHW) > Weather-dependent curve

i INFORMATION

Maximum and minimum setpoints

You cannot configure the curve with temperatures that are higher or lower than the set maximum and minimum setpoints for that zone or for the tank. When the maximum or minimum setpoint is reached, the curve flattens out.

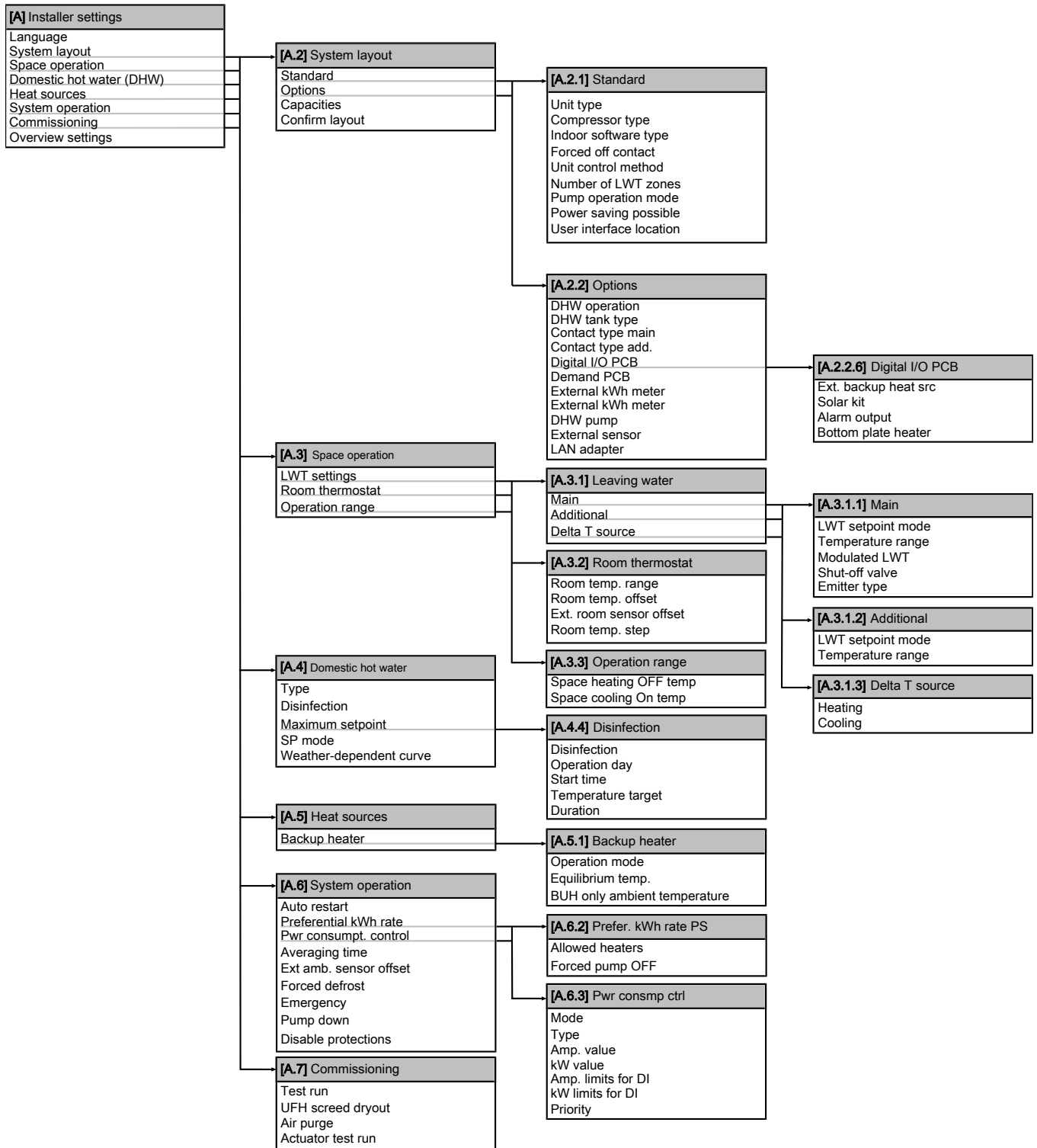
To fine-tune the weather-dependent curve

The following table describes how to fine-tune the weather-dependent curve of a zone or tank:

You feel ...		Fine-tune with setpoints:			
At regular outdoor temperatures ...	At cold outdoor temperatures ...	Y2 ^(a)	Y1 ^(a)	X1 ^(a)	X2 ^(a)
OK	Cold	↑	—	↑	—
OK	Hot	↓	—	↓	—
Cold	OK	—	↑	—	↑
Cold	Cold	↑	↑	↑	↑
Cold	Hot	↓	↑	↓	↑
Hot	OK	—	↓	—	↓
Hot	Cold	↑	↓	↑	↓
Hot	Hot	↓	↓	↓	↓

^(a) See "6.3.2 2-points curve" [p 22].

6.4 Menu structure: Overview installer settings



INFORMATION

Solar kit settings are shown but are NOT applicable for this unit. Settings shall NOT be used or changed.



INFORMATION

Depending on the selected installer settings and unit type, settings will be visible/invisible.

7 Commissioning



NOTICE

ALWAYS operate the unit with thermistors and/or pressure sensors/switches. If NOT, burning of the compressor might be the result.



INFORMATION

Protective functions – "Installer-on-site mode". The software is equipped with protective functions, such as room antifrost. The unit automatically runs these functions when necessary. (If the user interface home pages are off, the unit will not operate automatically.)

During installation or service this behaviour is undesired. Therefore, the protective functions can be disabled:

- **At first power-on:** The protective functions are disabled by default. After 36 h they will be automatically enabled.
- **Afterwards:** An installer can manually disable the protective functions by setting [A.6.D]: Disable protections=On. After his work is done, he can enable the protective functions by setting [A.6.D]: Disable protections=OFF.

7.1 Checklist before commissioning

After the installation of the unit, first check the items listed below. Once all checks are fulfilled, the unit must be closed. Power-up the unit after it is closed.

<input type="checkbox"/>	You read the complete installation instructions, as described in the installer reference guide .
<input type="checkbox"/>	The indoor unit is properly mounted.
<input type="checkbox"/>	The outdoor unit is properly mounted.
<input type="checkbox"/>	The following field wiring has been carried out according to this document and the applicable legislation: <ul style="list-style-type: none"> ▪ Between the local supply panel and the outdoor unit ▪ Between indoor unit and outdoor unit ▪ Between the local supply panel and the indoor unit ▪ Between the indoor unit and the valves (if applicable) ▪ Between the indoor unit and the room thermostat (if applicable)
<input type="checkbox"/>	The system is properly earthed and the earth terminals are tightened.
<input type="checkbox"/>	The fuses or locally installed protection devices are installed according to this document, and have NOT been bypassed.
<input type="checkbox"/>	The power supply voltage matches the voltage on the identification label of the unit.
<input type="checkbox"/>	There are NO loose connections or damaged electrical components in the switch box.
<input type="checkbox"/>	There are NO damaged components or squeezed pipes on the inside of the indoor and outdoor units.
<input type="checkbox"/>	Backup heater circuit breaker F1B (field supply) is turned ON.
<input type="checkbox"/>	There are NO refrigerant leaks .
<input type="checkbox"/>	The refrigerant pipes (gas and liquid) are thermally insulated.
<input type="checkbox"/>	The correct pipe size is installed and the pipes are properly insulated.

<input type="checkbox"/>	There is NO water leak inside the indoor unit.
<input type="checkbox"/>	The shut-off valves are properly installed and fully open.
<input type="checkbox"/>	The stop valves (gas and liquid) on the outdoor unit are fully open.
<input type="checkbox"/>	The air purge valve is open (at least 2 turns).
<input type="checkbox"/>	The pressure relief valve purges water when opened. Clean water must come out.
<input type="checkbox"/>	The domestic hot water tank is filled completely.

7.2 Checklist during commissioning

<input type="checkbox"/>	The minimum flow rate during backup heater/defrost operation is guaranteed in all conditions. See "To check the water volume and flow rate" in "4.2 Preparing water piping" [p 7].
<input type="checkbox"/>	To perform an air purge .
<input type="checkbox"/>	To perform a test run .
<input type="checkbox"/>	To perform an actuator test run .
<input type="checkbox"/>	Underfloor screed dryout function The underfloor screed dryout function is started (if necessary).

7.2.1 To check the minimum flow rate



- 1 Confirm according to the hydraulic configuration which space heating loops can be closed due to mechanical, electronic, or other valves.
- 2 Close all space heating loops that can be closed (see previous step).
- 3 Start the pump test run operation (see "7.2.4 To perform an actuator test run" [p 25]).
- 4 Go to [6.1.8]: > Information > Sensor information > Flow rate to check the flow rate. During pump test run operation, the unit can operate below this minimum required flow rate.

Bypass valve foreseen?	
Yes	No
Modify the bypass valve setting to reach the minimum required flow rate + 2 l/min	In case the actual flow rate is below the minimum flow rate, modifications at the hydraulic configuration are required. Increase the space heating loops that can NOT be closed or install a pressure-controlled bypass valve.

7.2.2 To perform an air purge




Prerequisite: Make sure that the leaving water temperature home page, room temperature home page, and domestic hot water home page are turned OFF.



- 1 Go to [A.7.3]: > Installer settings > Commissioning > Air purge.
- 2 Set the type.
- 3 Select Start air purge and press **OK**.
- 4 Select OK and press **OK**.

Result: The air purge starts. It stops automatically when done. To stop it manually, press , select OK and press .

7.2.3 To perform a test run

Prerequisite: Make sure that the leaving water temperature home page, room temperature home page, and domestic hot water home page are turned OFF.

- 1 Set the user permission level to Installer. See "[To set the user permission level to Installer](#)" [p 17].
- 2 Go to [A.7.1]:  > Installer settings > Commissioning > Test run.
- 3 Select a test and press . **Example:** Heating.
- 4 Select OK and press .

Result: The test run starts. It stops automatically when done (± 30 min). To stop it manually, press , select OK and press .



INFORMATION




If 2 user interfaces are present, you can start a test run from both user interfaces.

- The user interface used to start the test run displays a status screen.
- The other user interface displays a "busy" screen. You cannot use the user interface as long as the "busy" screen is shown.

7.2.4 To perform an actuator test run

Perform an actuator test run to confirm the operation of the different actuators. For example, when you select Pump, a test run of the pump will start.

Prerequisite: Make sure that the leaving water temperature home page, room temperature home page, and domestic hot water home page are turned OFF.

- 1 Set the user permission level to Installer. See "[To set the user permission level to Installer](#)" [p 17].
- 2 Go to [A.7.4]:  > Installer settings > Commissioning > Actuator test run.
- 3 Select an actuator and press . **Example:** Pump.
- 4 Select OK and press .

Result: The actuator test run starts. It automatically stops when finished. To stop it manually, press , select OK and press .

Possible actuator test runs

- Backup heater (step 1) test
- Pump test



INFORMATION




Make sure that all air is purged before executing the test run. Also avoid disturbances in the water circuit during the test run.



- Solar pump test
- Shut-off valve test
- 3-way valve test
- Bivalent signal test
- Alarm output test
- H/C signal (heating/cooling signal) test
- Quick heatup test
- DHW pump test

7.2.5 To perform an underfloor heating screed dryout

Prerequisite: Make sure there is only 1 user interface connected to your system to perform an underfloor heating screed dryout.

Prerequisite: Make sure that the leaving water temperature home page, room temperature home page, and domestic hot water home page are turned OFF.

- 1 Go to [A.7.2]:  > Installer settings > Commissioning > UFH screed dryout.
- 2 Set a dryout program.
- 3 Select Start dryout and press .
- 4 Select OK and press .

Result: The underfloor heating screed dryout starts. It stops automatically when done. To stop it manually, press , select OK and press .



NOTICE

To perform an underfloor heating screed dryout, room frost protection needs to be disabled ([2-06]=0). By default, it is enabled ([2-06]=1). However, due to the "installer-on-site" mode (see "Commissioning"), room frost protection will be automatically disabled for 36 hours after the first power-on.

If the screed dryout still needs to be performed after the first 36 hours of power-on, manually disable room frost protection by setting [2-06] to "0", and KEEP it disabled until the screed dryout has finished. Ignoring this notice will result in cracking of the screed.



NOTICE

For the underfloor heating screed dryout to be able to start, make sure the following settings are met:

- [4-00]=1
- [C-02]=0
- [D-01]=0
- [4-08]=0
- [4-01]≠1

8 Hand-over to the user

Once the test run is finished and the unit operates properly, please make sure the following is clear for the user:

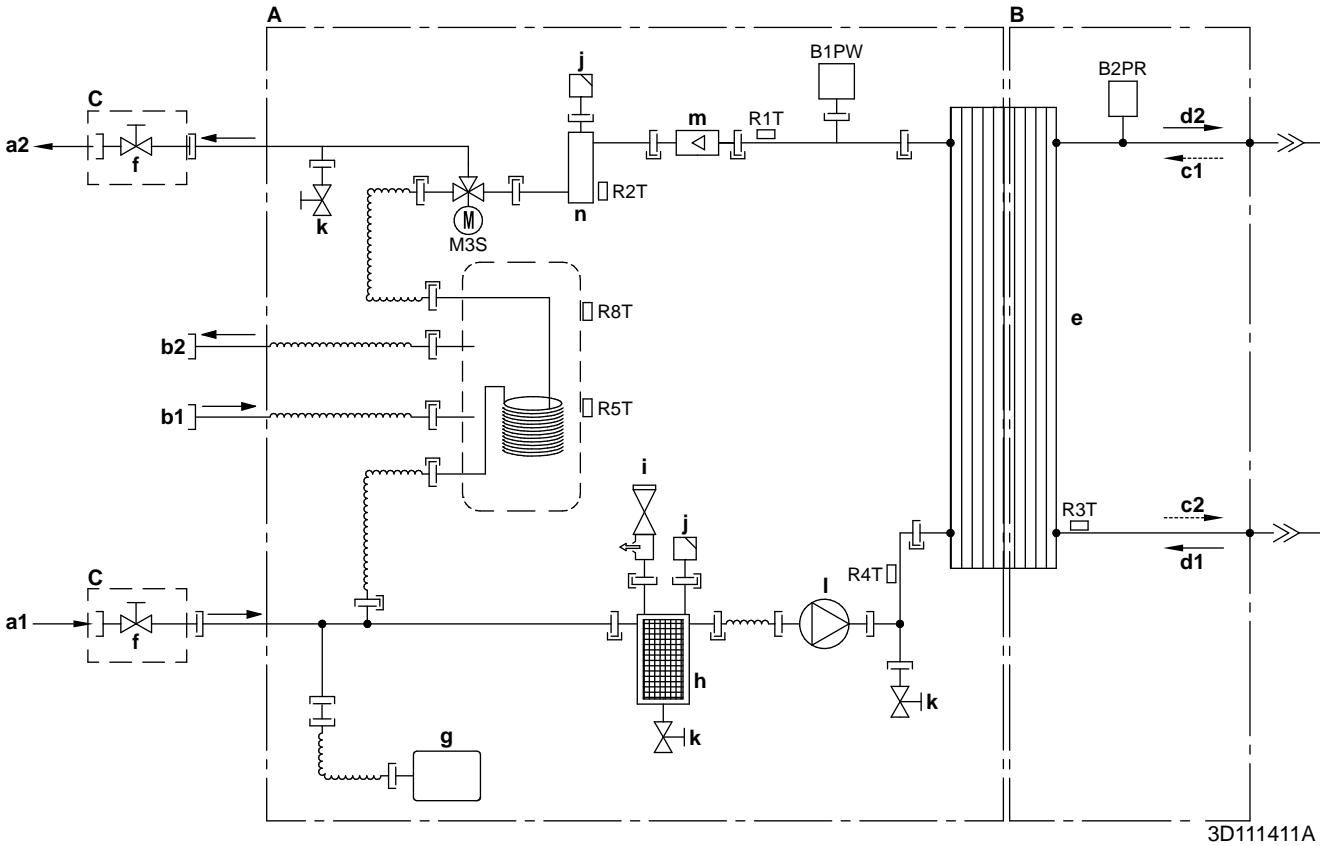
- Fill in the installer setting table (in the operation manual) with the actual settings.
- Make sure that the user has the printed documentation and ask him/her to keep it for future reference. Inform the user that he can find the complete documentation at the URL mentioned earlier in this manual.
- Explain the user how to properly operate the system and what to do in case of problems.
- Show the user what to do for the maintenance of the unit.
- Explain the user about energy saving tips as described in the operation manual.

9 Technical data

9 Technical data

A **subset** of the latest technical data is available on the regional Daikin website (publicly accessible). The **full set** of latest technical data is available on the Daikin Business Portal (authentication required).

9.1 Piping diagram: Indoor unit

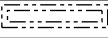
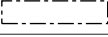
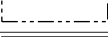
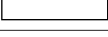


- | | |
|--|---|
| A Water side | B1PW Space heating water pressure sensor |
| B Refrigerant side | B2PR Refrigerant pressure sensor |
| C Field installed | M3S 3-way valve (space heating/domestic hot water) |
| a1 Space heating water IN | R1T Thermistor (heat exchanger – water OUT) |
| a2 Space heating water OUT | R2T Thermistor (backup heater – water OUT) |
| b1 Domestic hot water: cold water IN | R3T Thermistor (liquid refrigerant) |
| b2 Domestic hot water: hot water OUT | R4T Thermistor (heat exchanger – water IN) |
| c1 Gas refrigerant IN (heating mode; condenser) | R5T, R8T Thermistor (tank) |
| c2 Liquid refrigerant OUT (heating mode; condenser) | — Screw connection |
| d1 Liquid refrigerant IN (cooling mode; evaporator) | — Flare connection |
| d2 Gas refrigerant OUT (cooling mode; evaporator) | — Quick coupling |
| e Plate heat exchanger | — Brazed connection |
| f Shut-off valve for service (if equipped) | |
| g Expansion vessel | |
| h Magnetic filter/dirt separator | |
| i Safety valve | |
| j Air purge | |
| k Drain valve | |
| l Pump | |
| m Flow sensor | |
| n Backup heater | |

9.2 Wiring diagram: Indoor unit

See the internal wiring diagram supplied with the unit (on the inside of the indoor unit switch box cover). The abbreviations used are listed below.

Notes to go through before starting the unit

English	Translation
Notes to go through before starting the unit	Notes to go through before starting the unit
X1M	Main terminal
X2M	Field wiring terminal for AC
X5M	Field wiring terminal for DC
X6M	Backup heater power supply terminal
-----	Earth wiring
-----	Field supply
①	Several wiring possibilities
	Option
	Not mounted in switch box
	Wiring depending on model
	PCB
Note 1: Connection point of the power supply for the BUH/BSH should be foreseen outside the unit.	Note 1: Connection point of the power supply for the backup heater/booster heater should be foreseen outside the unit.
Backup heater power supply	Backup heater power supply
<input type="checkbox"/> 1N~, 230 V	<input type="checkbox"/> 1N~, 230 V
User installed options	User installed options
<input type="checkbox"/> LAN adapter	<input type="checkbox"/> LAN adapter
<input type="checkbox"/> Remote user interface	<input type="checkbox"/> User interface used as room thermostat
<input type="checkbox"/> Ext. indoor thermistor	<input type="checkbox"/> External indoor thermistor
<input type="checkbox"/> Ext outdoor thermistor	<input type="checkbox"/> External outdoor thermistor
<input type="checkbox"/> Digital I/O PCB	<input type="checkbox"/> Digital I/O PCB
<input type="checkbox"/> Demand PCB	<input type="checkbox"/> Demand PCB
Main LWT	Main leaving water temperature
<input type="checkbox"/> On/OFF thermostat (wired)	<input type="checkbox"/> On/OFF thermostat (wired)
<input type="checkbox"/> On/OFF thermostat (wireless)	<input type="checkbox"/> On/OFF thermostat (wireless)
<input type="checkbox"/> Ext. thermistor	<input type="checkbox"/> External thermistor
<input type="checkbox"/> Heat pump convector	<input type="checkbox"/> Heat pump convector
<input type="checkbox"/> Safety thermostat	<input type="checkbox"/> Safety thermostat
Add LWT	Additional leaving water temperature
<input type="checkbox"/> On/OFF thermostat (wired)	<input type="checkbox"/> On/OFF thermostat (wired)
<input type="checkbox"/> On/OFF thermostat (wireless)	<input type="checkbox"/> On/OFF thermostat (wireless)
<input type="checkbox"/> Ext. thermistor	<input type="checkbox"/> External thermistor
<input type="checkbox"/> Heat pump convector	<input type="checkbox"/> Heat pump convector

Position in switch box

English	Translation
Position in switch box	Position in switch box

Legend

A1P	Main PCB
A2P	* On/OFF thermostat (PC=power circuit)
A3P	* Heat pump convector
A4P	* Digital I/O PCB
A8P	* Demand PCB

A10P	EKRUDAL1 (= user interface connected to the indoor unit)
A13P	* LAN adapter
A14P	* User interface PCB
A15P	* Receiver PCB (wireless On/OFF thermostat)
B1L	Flow sensor
B1PR	Refrigerant pressure sensor
B1PW	Water pressure sensor
CN* (A4P)	* Connector
DS1(A8P)	* DIP switch
E1H	Backup heater element (3 kW)
F1B	# Overcurrent fuse backup heater
F1T	Thermal fuse backup heater
F1U, F2U (A4P)	* Fuse 5 A 250 V for digital I/O PCB
FU1 (A1P)	Fuse T 5 A 250 V for PCB
K1M	Contacteur backup heater
K*R (A1P-A4P)	Relay on PCB
M1P	Main supply pump
M2P	# Domestic hot water pump
M2S	# 2-way valve for cooling mode
M3S	3-way valve for space heating/domestic hot water
PC (A15P)	* Power circuit
PHC1 (A4P)	* Optocoupler input circuit
Q1L	Thermal protector backup heater
Q4L	# Safety thermostat
Q*DI	# Earth leakage circuit breaker
R1H (A2P)	* Humidity sensor
R1T (A1P)	Outlet water heat exchanger thermistor
R1T (A2P)	* Ambient sensor On/OFF thermostat
R1T (A14P)	* Ambient sensor user interface
R2T (A1P)	Outlet backup heater thermistor
R2T (A2P)	* External sensor (floor or ambient)
R3T	Refrigerant liquid side thermistor
R4T	Inlet water thermistor
R5T, R8T	Domestic hot water thermistor
R6T	* External indoor or outdoor ambient thermistor
S1S	# Preferential kWh rate power supply contact
S2S	# Electrical meter pulse input 1
S3S	# Electrical meter pulse input 2
S6S~S9S	* Digital power limitation inputs
SS1 (A4P)	* Selector switch
TR1	Power supply transformer
X6M	# Backup heater power supply terminal strip
X*, X*A, X*H* X*Y	Connector
X*M	Terminal strip

* Optional

Field supply

9 Technical data

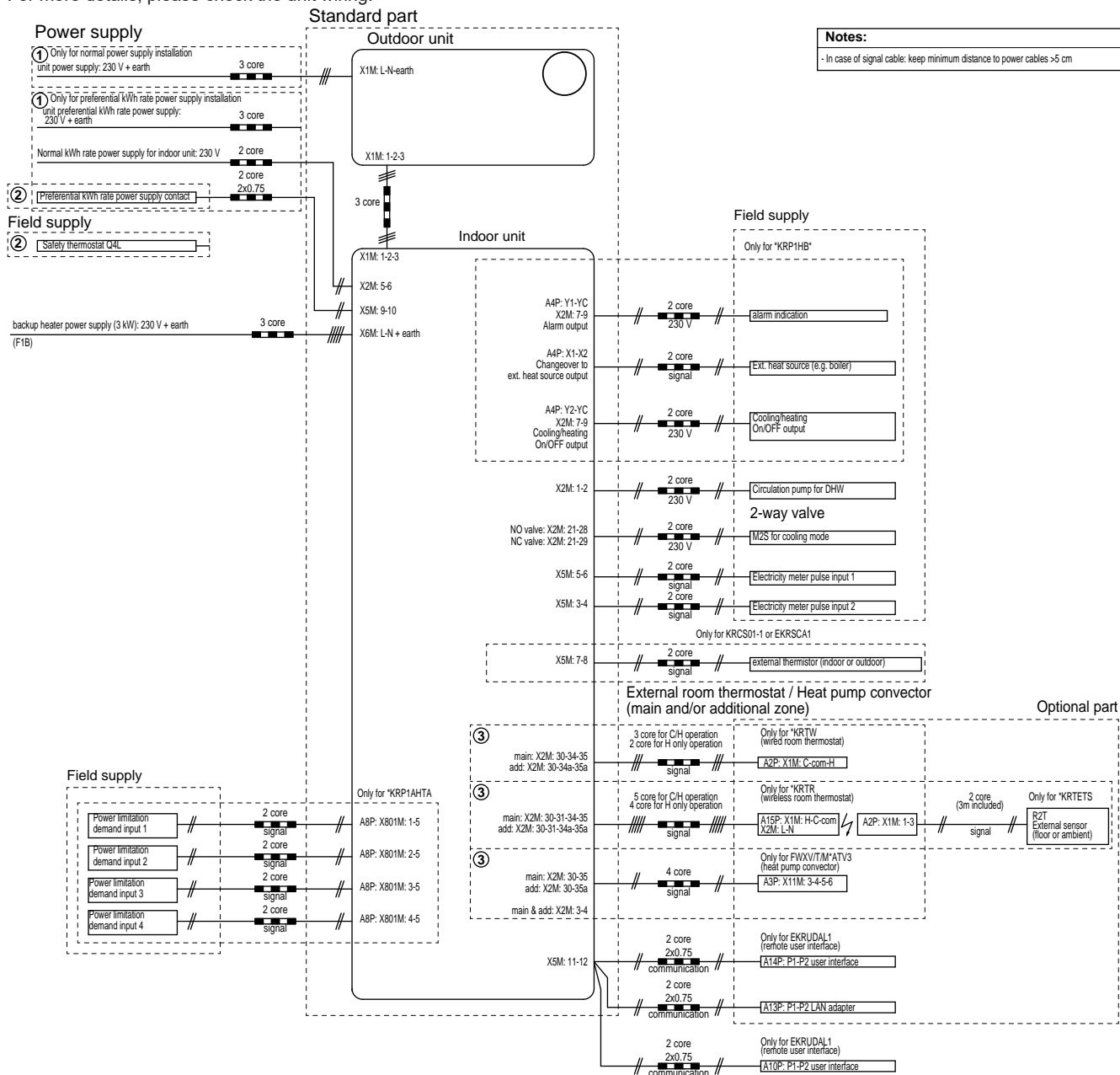
Translation of text on wiring diagram

English	Translation
(1) Main power connection	(1) Main power connection
For preferential kWh rate power supply	For preferential kWh rate power supply
Indoor unit supplied from outdoor	Indoor unit supplied from outdoor
Normal kWh rate power supply	Normal kWh rate power supply
Only for normal power supply (standard)	Only for normal power supply (standard)
Only for preferential kWh rate power supply (outdoor)	Only for preferential kWh rate power supply (outdoor)
Outdoor unit	Outdoor unit
Preferential kWh rate power supply contact: 16 V DC detection (voltage supplied by PCB)	Preferential kWh rate power supply contact: 16 V DC detection (voltage supplied by PCB)
SWB	Switch box
Use normal kWh rate power supply for indoor unit	Use normal kWh rate power supply for indoor unit
(2) Backup heater power supply	(2) Backup heater power supply
Only for ***	Only for ***
(3) User interface	(3) User interface
Only for LAN adapter	Only for the LAN adapter
Only for remote user interface	Only for the user interface used as room thermostat
(5) Ext. thermistor	(5) External thermistor
SWB	Switch box
(6) Field supplied options	(6) Field supplied options
12 V DC pulse detection (voltage supplied by PCB)	12 V DC pulse detection (voltage supplied by PCB)
230 V AC supplied by PCB	230 V AC supplied by PCB
Continuous	Continuous current
DHW pump output	Domestic hot water pump output
DHW pump	Domestic hot water pump
Electrical meters	Electrical meters
For safety thermostat	For safety thermostat
Inrush	Inrush current
Max. load	Maximum load

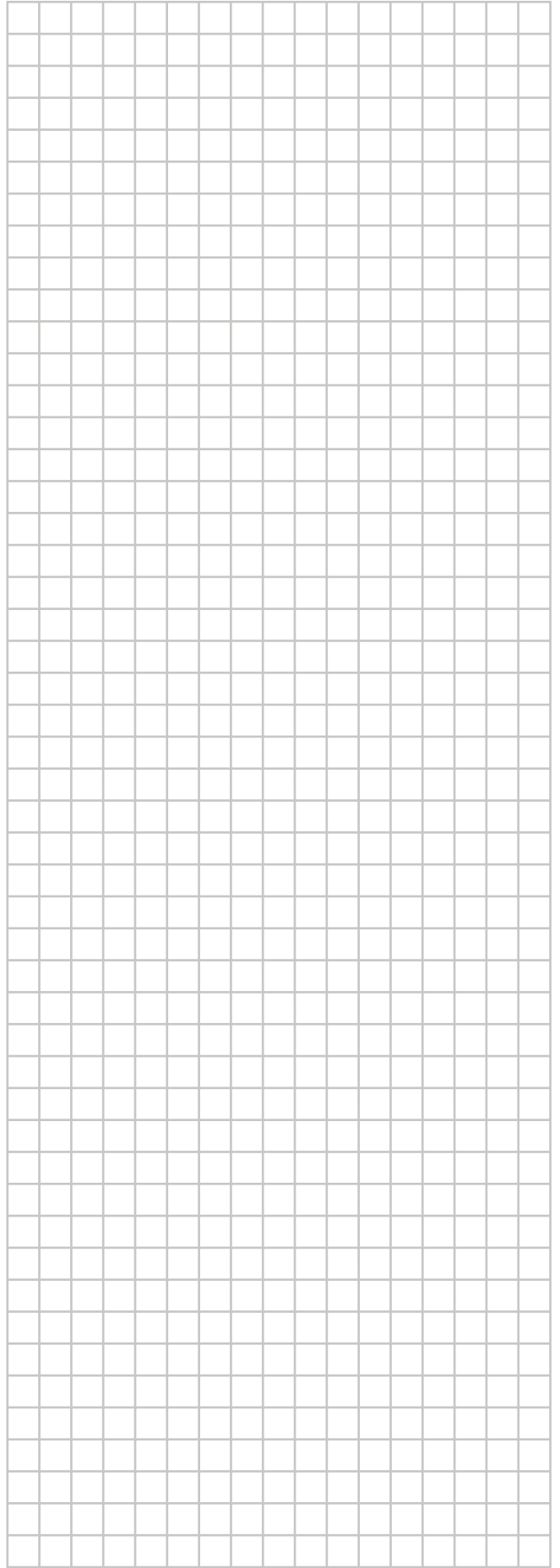
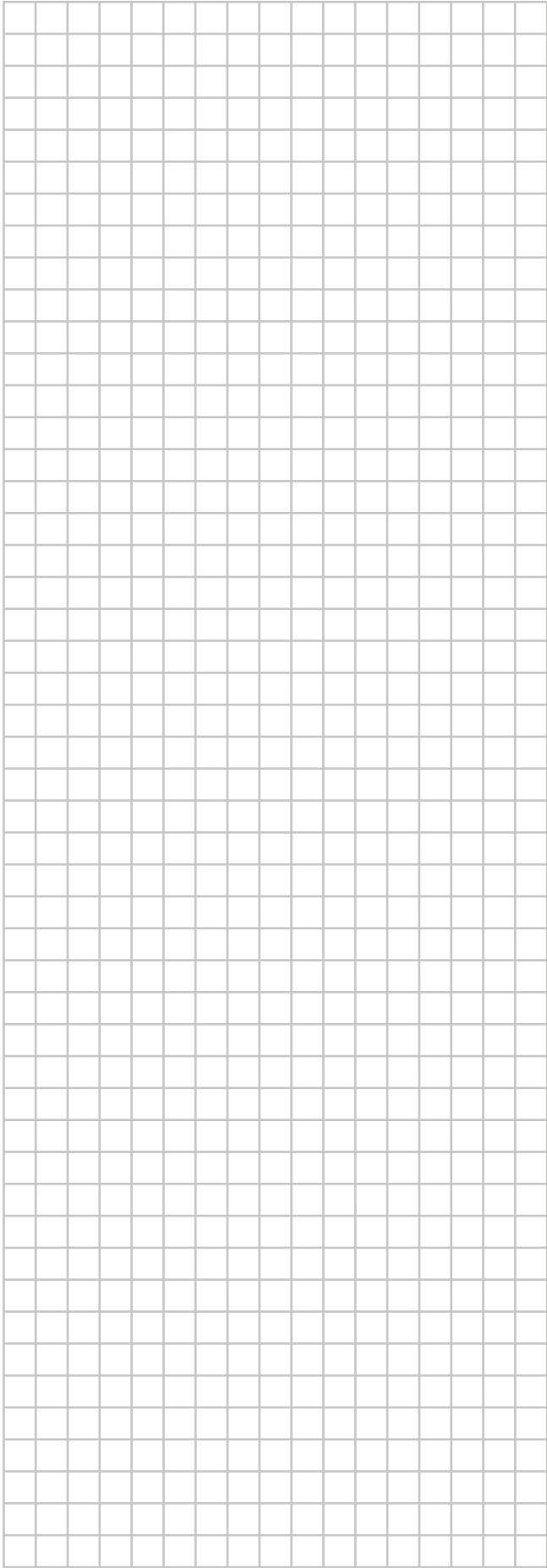
English	Translation
Normally closed	Normally closed
Normally open	Normally open
Safety thermostat contact: 16 V DC detection (voltage supplied by PCB)	Safety thermostat contact: 16 V DC detection (voltage supplied by PCB)
Shut-off valve	Shut-off valve
SWB	Switch box
(7) Option PCBs	(7) Option PCBs
Alarm output	Alarm output
Changeover to ext. heat source	Changeover to external heat source
Max. load	Maximum load
Min. load	Minimum load
Only for demand PCB option	Only for demand PCB option
Only for digital I/O PCB option	Only for digital I/O PCB option
Options: ext. heat source output, alarm output	Options: external heat source output, alarm output
Options: On/OFF output	Options: On/OFF output
Power limitation digital inputs: 12 V DC / 12 mA detection (voltage supplied by PCB)	Power limitation digital inputs: 12 V DC / 12 mA detection (voltage supplied by PCB)
Space C/H On/OFF output	Space cooling/heating On/OFF output
SWB	Switch box
(8) External On/OFF thermostats and heat pump convector	(8) External On/OFF thermostats and heat pump convector
Additional LWT zone	Additional leaving water temperature zone
Main LWT zone	Main leaving water temperature zone
Only for external sensor (floor/ambient)	Only for external sensor (floor or ambient)
Only for heat pump convector	Only for heat pump convector
Only for wired On/OFF thermostat	Only for wired On/OFF thermostat
Only for wireless On/OFF thermostat	Only for wireless On/OFF thermostat

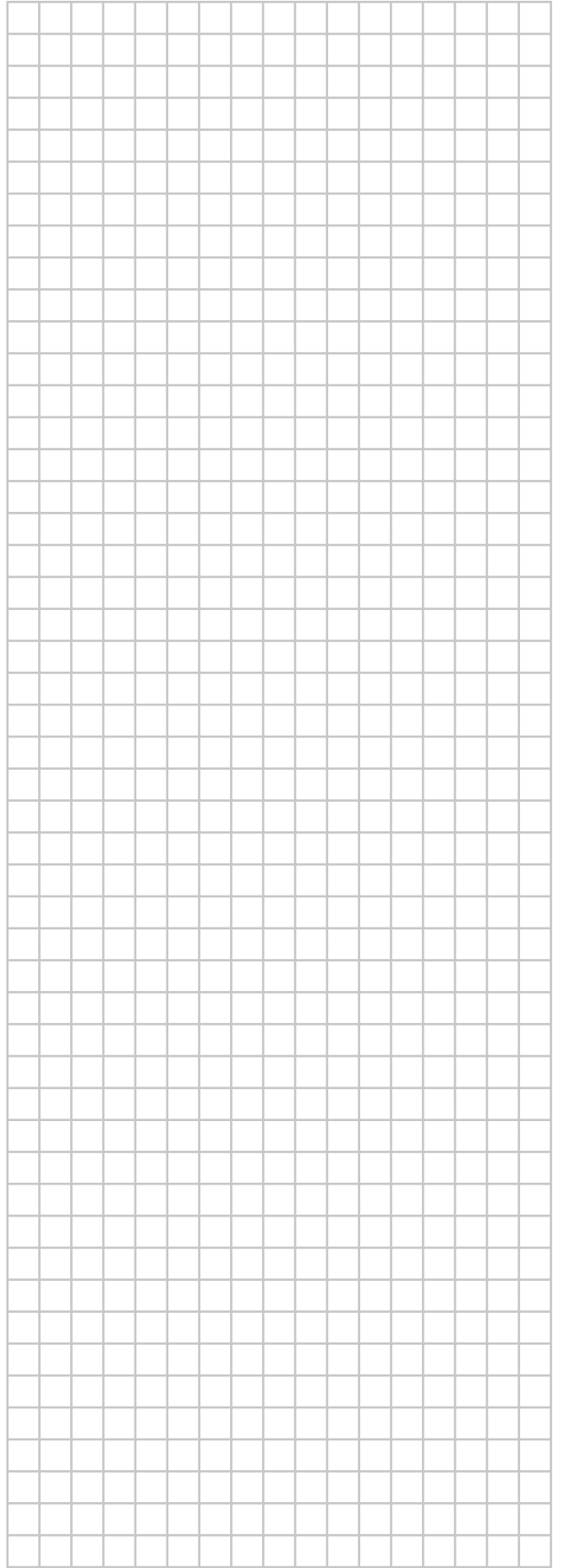
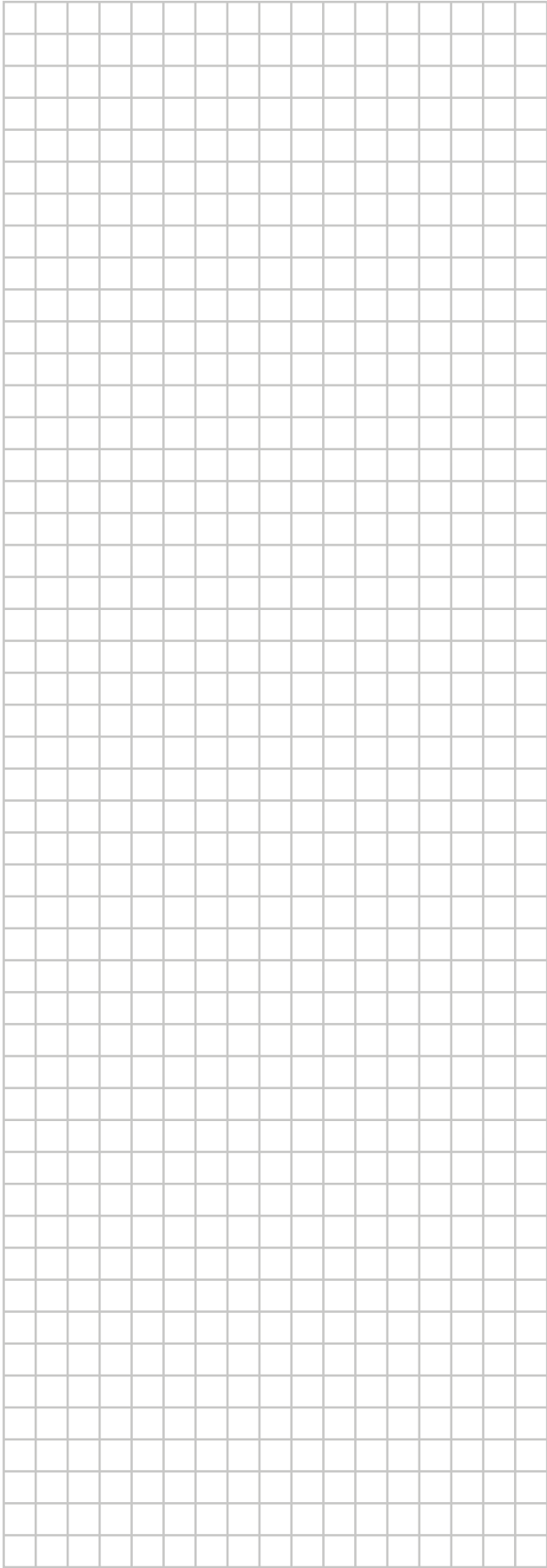
Electrical connection diagram

For more details, please check the unit wiring.



4D125237







4P596803-1 0000000T

Copyright 2019 Daikin

DAIKIN EUROPE N.V.

Zandvoordestraat 300, B-8400 Oostende, Belgium

4P596803-1 2019.10